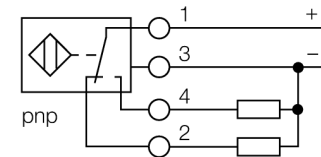


- Rectangular, height 60 mm
- Plastic, PBT-GF30-V0
- Factor 1 for all metals
- Increased switching distance
- Protection class IP68
- Resistant to magnetic fields
- Extended temperature range
- Auto-compensation protects against pre-attenuation
- One-sided fitting possible
- 4-wire DC, 10...65 VDC
- Changeover contact, PNP output
- Terminal chamber

<b>Type code</b>	NI100U-K90SR-VP4X2
Ident no.	1625834
<b>Rated operating distance Sn</b>	100 mm
Mounting condition	non-flush, partially embeddable
Assured sensing range	$\leq (0,81 \times S_n)$ mm
Repeatability	$\leq 2\%$ of full scale
Temperature drift	10 %
Hysteresis	$\leq \pm 15\%$ , $\leq -25\text{ °C}$ v $\geq +70\text{ °C}$
Ambient temperature	-30...+85 °C
<b>Operating voltage</b>	10...65VDC
Residual ripple	$\leq 10\%$ U <sub>s</sub>
DC rated operational current	$\leq 200$ mA
No-load current I <sub>0</sub>	$\leq 15$ mA
Residual current	$\leq 0.1$ mA
Rated insulation voltage	$\leq 0.5$ kV
Short-circuit protection	yes
Voltage drop at I <sub>0</sub>	$\leq 1.8$ V
Wire breakage / Reverse polarity protection	yes/ complete
Output function	4-wire, changover contact, PNP
Protection class	☐
Switching frequency	0.25 kHz
<b>Design</b>	rectangular, K90SR
Dimensions	130 x 75 x 60 mm
Housing material	plastic, PBT
Connection	terminal chamber
Clamping ability	$\leq 2.5$ mm <sup>2</sup>
Vibration resistance	55 Hz (1 mm)
Shock resistance	30 g (11 ms)
Protection class	IP68
MTTF	874 years acc. to SN 29500 (Ed. 99) 40 °C
<b>Power-on indication</b>	LED green
Switching state	LED yellow
Included in scope of supply	cable gland

**Wiring diagram**

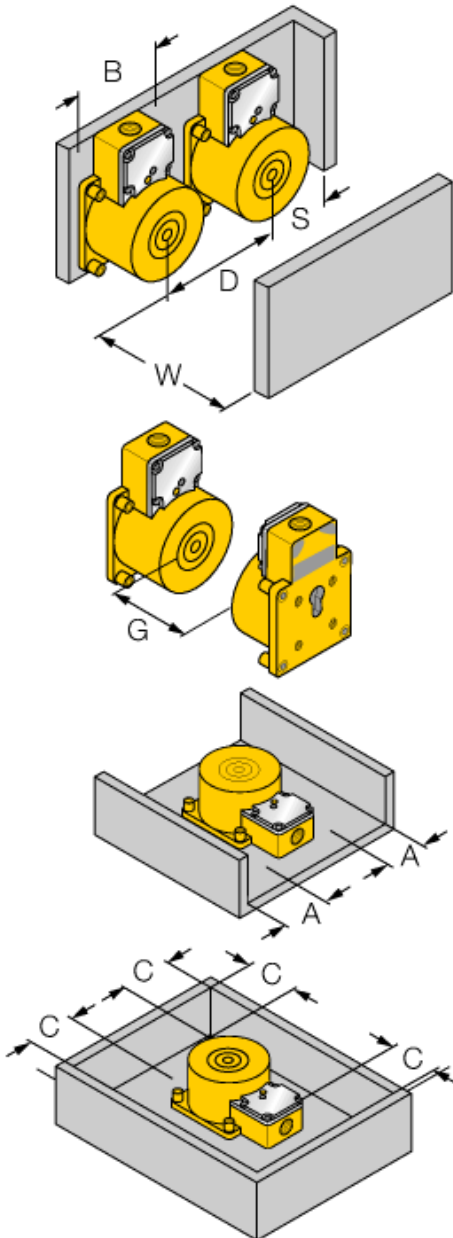


**Functional principle**

Inductive sensors detect metal objects contactless and wear-free. Due to the patented multi-coil system, *uprox*+ sensors have distinct advantages over conventional sensors. They excel in largest switching distances, maximum flexibility and operational reliability as well as efficient standardization.

Distance W	3 x Sn
Distance S	1 x B
Distance G	6 x Sn
Distance A	1 x Sn
Distance C	2 x Sn

Width of the active face B 90 mm



1-side flush mounting

1-side mounting:

Sr = 70 mm