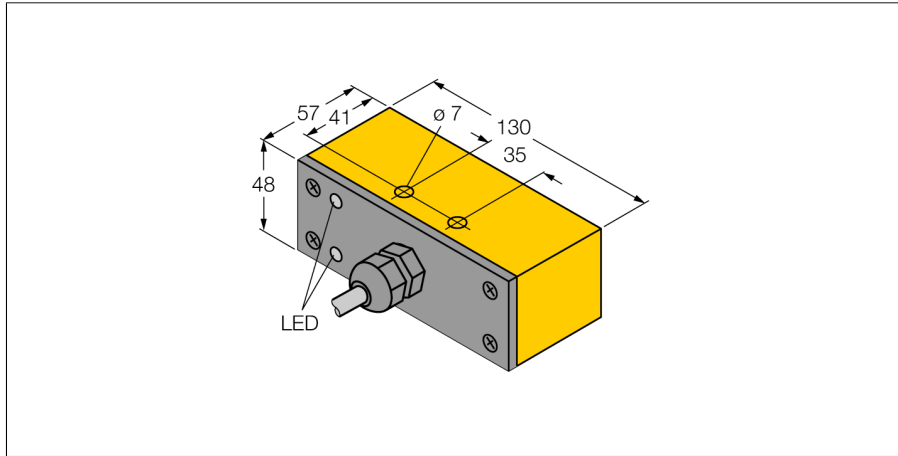
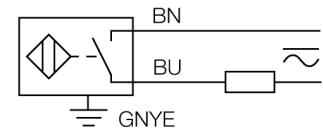


Inductive sensor
NI30-Q130-ADZ30X2



- Rectangular, height 48 mm
- Active face in front
- Plastic PBT
- AC 2-wire, 20...250 VAC
- 2-wire DC, 10...300 VDC
- NO contact
- Cable connection

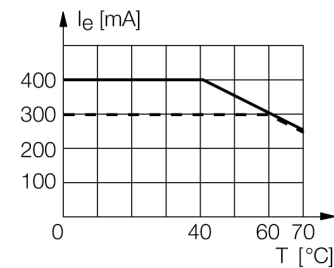
Wiring diagram



Functional principle

Inductive sensors detect metal objects contactless and wear-free. For this, they use a high-frequency electromagnetic AC field that interacts with the target. Inductive sensors generate this field via an RLC circuit with a ferrite coil.

We offer special versions for temperatures of -60 °C up to +250 °C.



Type code	NI30-Q130-ADZ30X2
Ident no.	42095
Rated operating distance S_n	30 mm
Mounting condition	non-flush
Assured sensing range	≤ (0,81 x S _n) mm
Correction factors	St37 = 1; Al = 0.3; stainless steel = 0.7; Ms = 0.4
Repeatability	≤ 2 % of full scale
Temperature drift	10 %
Hysteresis	3...15 %
Ambient temperature	-25...+70 °C
Operating voltage	20...250 VAC
Operating voltage	10...300VDC
AC rated operational current	≤ 400 mA
DC rated operational current	≤ 300 mA
Frequency	≥ 50...≤ 60 Hz
Residual current	≤ 1.7 mA
Rated insulation voltage	≤ 1.5 kV
Surge current	≤ 3 A (≤ 20 ms max. 5 Hz)
Short-circuit protection	yes/ latching
Voltage drop at I _e	≤ 6 V
Wire breakage / Reverse polarity protection	yes/ complete
Output function	2-wire, NO contact
Smallest operating current I _o	≤ 3 mA
Switching frequency	0.03 kHz
Design	rectangular, Q130
Dimensions	130 x 57 x 48 mm
Housing material	plastic, PBT
Connection	cable
Cable quality	5.2 mm, LiYY, PVC, 2 m
Cable cross section	3 x 0.5 mm ²
Vibration resistance	55 Hz (1 mm)
Shock resistance	30 g (11 ms)
Protection class	IP67
MTTF	2283 years acc. to SN 29500 (Ed. 99) 40 °C
Power-on indication	LED green
Switching state	LED red

**Inductive sensor
NI30-Q130-ADZ30X2**

Distance D	180 mm
Distance W	3 x Sn
Distance S	1.5 x B
Distance G	6 x Sn
Distance N	2 x Sn

Width of the active face B	130 mm
----------------------------	--------

Flush mounting of the sensor in metal.

