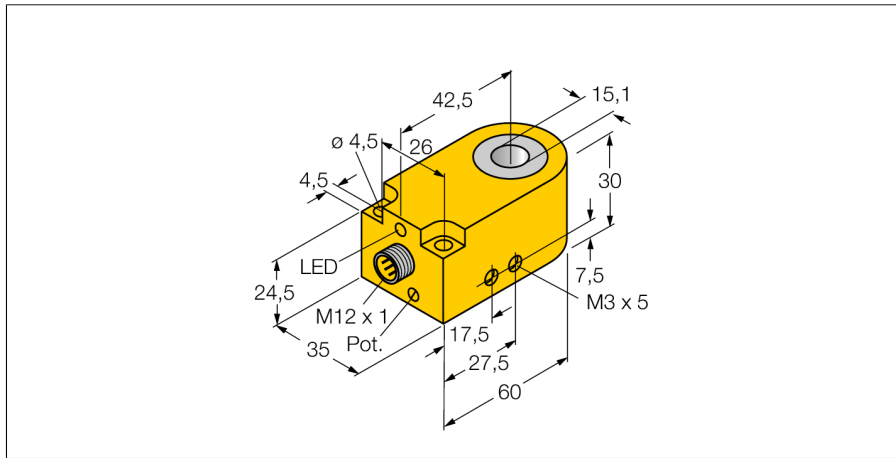
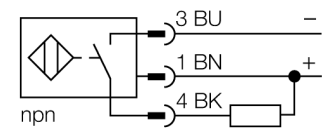


**Inductive sensor
ring sensor
BI15R-W30-DAN6X-H1141**



- Rectangular, height 30 mm
- Plastic, PA12-GF30
- Pulse duration 100 ms
- Sensitivity adjusted via potentiometer
- 3-wire DC, 10...30 VDC
- Dynamic output behaviour
- NO contact, NPN output
- Male M12 x 1

Wiring diagram



Type code BI15R-W30-DAN6X-H1141
Ident no. 14041

Inside ring diameter D 15.1 mm
Steel ball diameter (DIN 5401) ≥ 1.5 mm
Fly-by speed 0.1...50 m/s
pulse stop ≥ 5 ms
Pulse duration 100 ms $\pm 20\%$
Ambient temperature -25...+70 °C

Operating voltage 10...30VDC
Residual ripple $\leq 10\% U_{in}$
DC rated operational current ≤ 200 mA
No-load current I_0 ≤ 10 mA
Residual current ≤ 0.1 mA
Rated insulation voltage ≤ 0.5 kV
Short-circuit protection yes/ cyclic
Voltage drop at I_0 ≤ 2.5 V
Wire breakage / Reverse polarity protection yes/ complete
Output function 3-wire, NO contact, NPN
Switching frequency 0.008 kHz

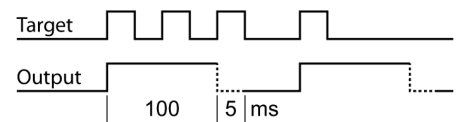
Design ring sensor, W30
Dimensions 60 x 35 x 30 mm
Housing material plastic, PA
Connection male, M12 x 1
Coil body plastic, POM
Vibration resistance 55 Hz (1 mm)
Shock resistance 30 g (11 ms)
Protection class IP67
MTTF 2283 years acc. to SN 29500 (Ed. 99) 40 °C

Switching state LED yellow

Functional principle

Inductive sensors detect metal objects contactless and wear-free. For this purpose they use a high-frequency electromagnetic AC field that interacts with the target. Inductive ring sensors generate this field through an LC resonant circuit. The target acts as the coil core.

Output performance



**Inductive sensor
ring sensor
BI15R-W30-DAN6X-H1141**

Distance D	120 mm
Distance W	120 mm
Distance S	15 mm
Distance G	120 mm



**Inductive sensor
ring sensor
BI15R-W30-DAN6X-H1141**

Accessories

Type code	Ident no.	Description	Dimension drawing
BS-Bi15R-W30	6900400	Fixing clamp for direct mounting on the pipe or tube; clamping ability 14...15 mm; material: POM; included in scope of supply: 1x M4 x 30 (DIN 912-A2); 2x M4 x 35 (DIN 912-A2)	

Wiring accessories

Type code	Ident no.	Description	Dimension drawing
RKC4T-2/TEL	6625010	Connection cable, female M12, straight, 3-pin, cable length: 2 m, sheath material: PVC, black; cULus approval; other cable lengths and qualities available, see www.turck.com	