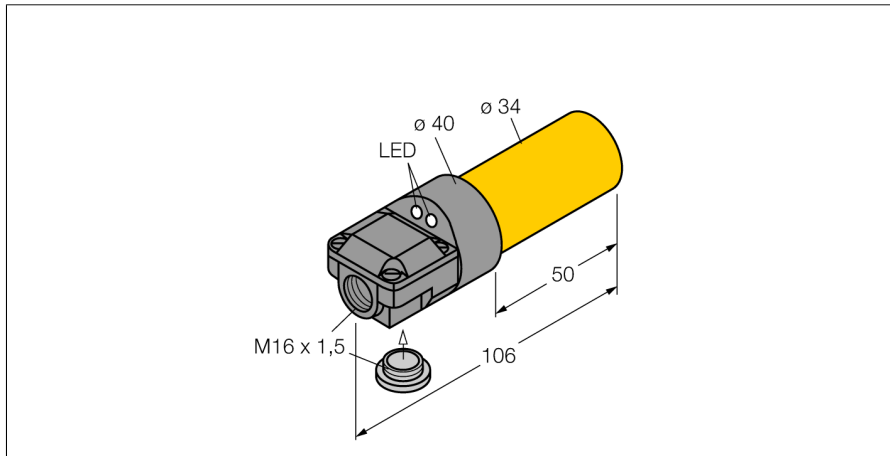


**Inductive sensor  
NI20-K34SR-VP4X2**



- 2 cable entries (axial, radial)
- Smooth barrel, Ø 34 mm
- Plastic, PBT-GF30-V0
- 4-wire DC, 10...65 VDC
- Changeover contact, PNP output
- Terminal chamber

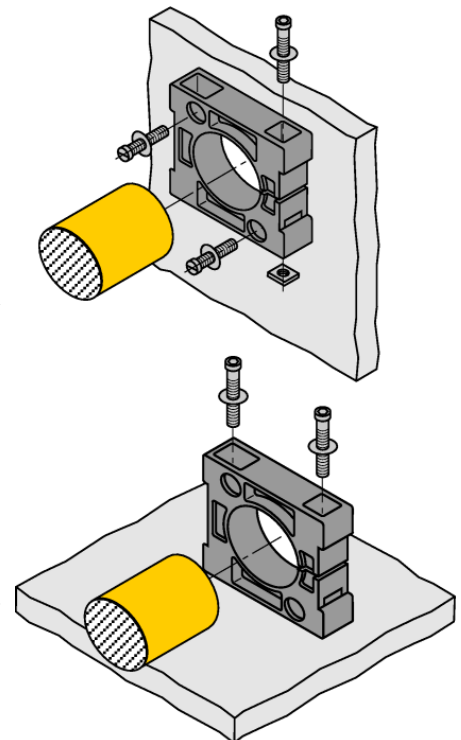
**Wiring diagram**



**Functional principle**

Inductive sensors detect metal objects contactless and wear-free. For this, they use a high-frequency electromagnetic AC field that interacts with the target. Inductive sensors generate this field via an RLC circuit with a ferrite coil.

We offer special versions for temperatures of -60 °C up to +250 °C.



<b>Type code</b>	NI20-K34SR-VP4X2
Ident no.	1565601
<b>Rated operating distance Sn</b>	20 mm
Mounting condition	non-flush
Assured sensing range	≤ (0,81 x Sn) mm
Correction factors	St37 = 1; Al = 0.3; stainless steel = 0.7; Ms = 0.4
Repeatability	≤ 2 % of full scale
Temperature drift	10 %
Hysteresis	3...15 %
Ambient temperature	-25...+70 °C
<b>Operating voltage</b>	10...65VDC
Residual ripple	≤ 10 % U <sub>ss</sub>
DC rated operational current	≤ 200 mA
No-load current I <sub>0</sub>	≤ 15 mA
Residual current	≤ 0.1 mA
Rated insulation voltage	≤ 0.5 kV
Short-circuit protection	yes
Voltage drop at I <sub>0</sub>	≤ 1.8 V
Wire breakage / Reverse polarity protection	yes/ complete
Output function	4-wire, changover contact, PNP
Switching frequency	0.5 kHz
<b>Design</b>	smooth barrel, 34 mm
Dimensions	106 mm
Housing material	plastic, PBT
Material active area	Plastic, PBT
Connection	terminal chamber
Clamping ability	≤ 2.5 mm <sup>2</sup>
Vibration resistance	55 Hz (1 mm)
Shock resistance	30 g (11 ms)
Protection class	IP67
MTTF	2283 years acc. to SN 29500 (Ed. 99) 40 °C
<b>Power-on indication</b>	LED green
Switching state	LED yellow
Included in scope of supply	BS34.1, 2 M5 screws, cable gland, blanking plugs

**Inductive sensor  
NI20-K34SR-VP4X2**

Distance W	3 x Sn
Distance T	3 x B
Distance S	1.5 x B
Distance G	6 x Sn
Distance N	20 mm

Diameter of the active area B                       $\varnothing$  34 mm

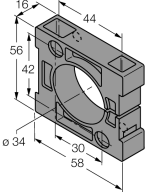


# Inductive sensor NI20-K34SR-VP4X2

**TURCK**

Industrial  
Automation

## Accessories

Type code	Ident no.	Description	Dimension drawing
BS34.1	6946010	Fixing clamp: Mounting block material (PBT-GF20-V0); dimensions (58 mm x 56 mm x 16 mm), included in delivery (2 M5 screws for base mounting)	
BS34.1-WMS	6946009	Screw set for wall mounting	