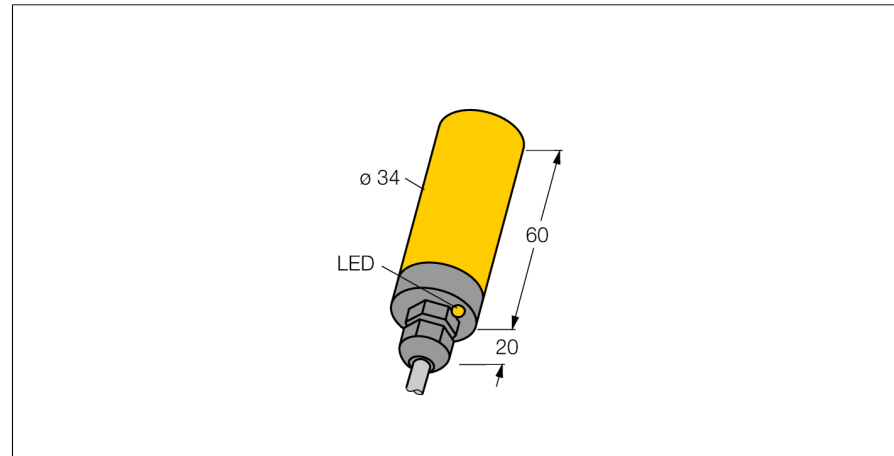
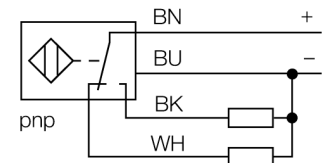


**Inductive sensor
NI20-K34-VP4X**



- Smooth barrel, Ø 34 mm
- Plastic, PBT-GF30-V0
- 4-wire DC, 10...65 VDC
- Changeover contact, PNP output
- Cable connection

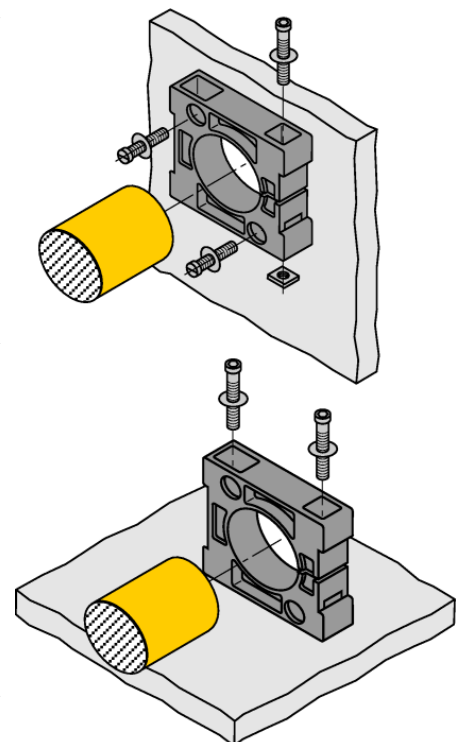
Wiring diagram



Functional principle

Inductive sensors detect metal objects contactless and wear-free. For this, they use a high-frequency electromagnetic AC field that interacts with the target. Inductive sensors generate this field via an RLC circuit with a ferrite coil.

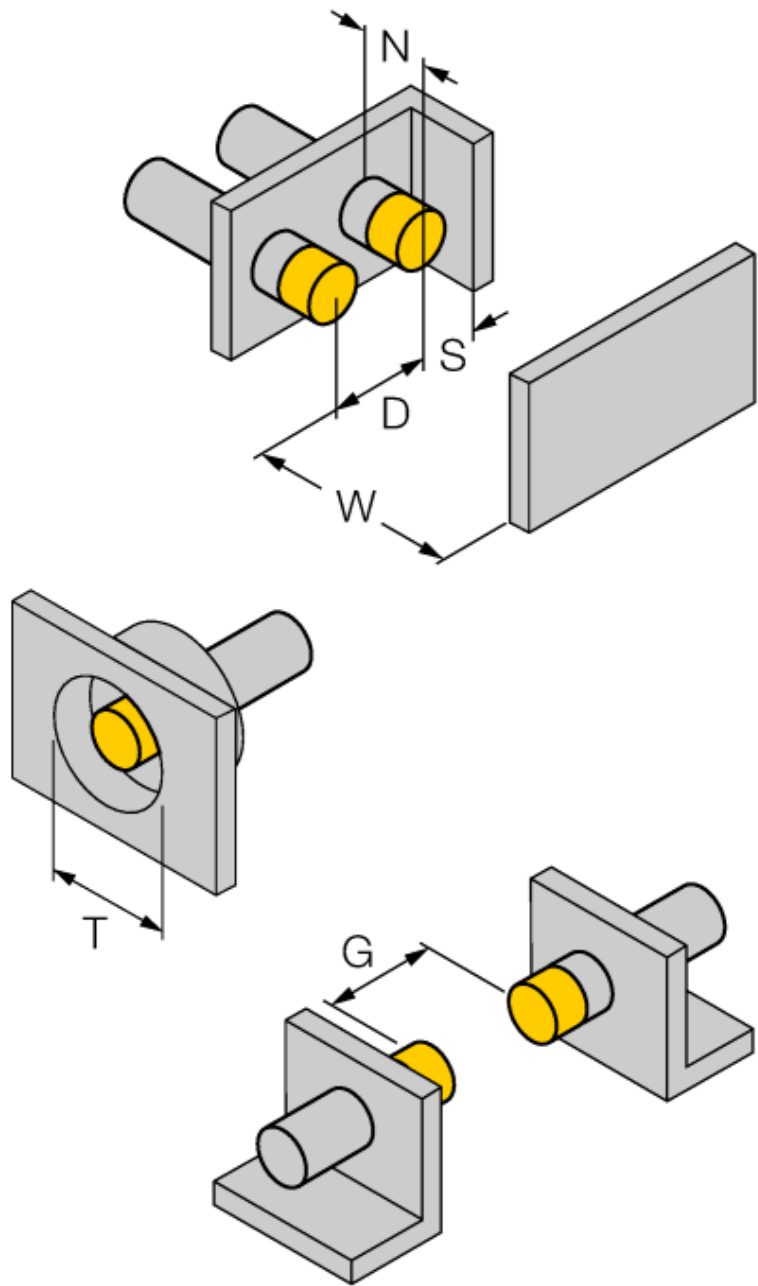
We offer special versions for temperatures of -60 °C up to +250 °C.



Type code	NI20-K34-VP4X
Ident no.	1565602
Rated operating distance Sn	20 mm
Mounting condition	non-flush
Assured sensing range	≤ (0,81 x Sn) mm
Correction factors	St37 = 1; Al = 0.3; stainless steel = 0.7; Ms = 0.4
Repeatability	≤ 2 % of full scale
Temperature drift	10 %
Hysteresis	3...15 %
Ambient temperature	-25...+70 °C
Operating voltage	10...65VDC
Residual ripple	≤ 10 % U _s
DC rated operational current	≤ 200 mA
No-load current I ₀	≤ 15 mA
Residual current	≤ 0.1 mA
Rated insulation voltage	≤ 0.5 kV
Short-circuit protection	yes
Voltage drop at I _N	≤ 1.8 V
Wire breakage / Reverse polarity protection	yes/ complete
Output function	4-wire, changeover contact, PNP
Switching frequency	0.5 kHz
Design	smooth barrel, 34 mm
Dimensions	80 mm
Housing material	plastic, PBT
Material active area	Plastic, PBT
End cap	Plastic, PBT-GF30-V0
Connection	cable
Cable quality	5.2 mm, LifYY, PVC, 2 m
Cable cross section	4 x 0.34 mm ²
Vibration resistance	55 Hz (1 mm)
Shock resistance	30 g (11 ms)
Protection class	IP67
MTTF	2283 years acc. to SN 29500 (Ed. 99) 40 °C
Switching state	LED yellow
Included in scope of supply	BS34.1, 2 M5 screws, cable gland, blanking plugs

**Inductive sensor
NI20-K34-VP4X**

Distance W	3 x Sn
Distance T	3 x B
Distance S	1.5 x B
Distance G	6 x Sn
Distance N	20 mm
<hr/>	
Diameter of the active area B	Ø 34 mm

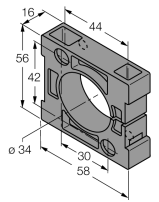


Inductive sensor NI20-K34-VP4X

TURCK

Industrial
Automation

Accessories

Type code	Ident no.	Description	Dimension drawing
BS34.1	6946010	Fixing clamp: Mounting block material (PBT-GF20-V0); dimensions (58 mm x 56 mm x 16 mm), included in delivery (2 M5 screws for base mounting)	
BS34.1-WMS	6946009	Screw set for wall mounting	