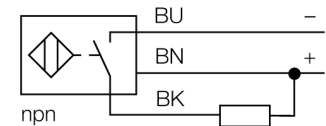


- Smooth barrel, Ø 6.5 mm
- Stainless steel, 1.4404
- Factor 1 for all metals
- Protection class IP68
- Resistant to magnetic fields
- High switching distance
- High switching frequency
- Integrated protection against pre-attenuation
- Little metal-free spaces
- 3-wire DC, 10...30 VDC
- NO contact, NPN output
- Cable connection

Type code	NI6U-EH6,5-AN6X
Ident no.	4631520
Rated operating distance Sn	6 mm
Mounting condition	non-flush
Assured sensing range	≤ (0,81 x Sn) mm
Repeatability	≤ 2 % of full scale
Temperature drift	10 %
Hysteresis	3...15 %
Ambient temperature	-25...+70 °C
Operating voltage	10...30VDC
Residual ripple	≤ 10 % U _{ss}
DC rated operational current	≤ 150 mA
No-load current I ₀	≤ 15 mA
Residual current	≤ 0.1 mA
Rated insulation voltage	≤ 0.5 kV
Short-circuit protection	yes/ cyclic
Voltage drop at I ₀	≤ 1.8 V
Wire breakage / Reverse polarity protection	yes/ complete
Output function	3-wire, NO contact, NPN
Protection class	☐
Switching frequency	1 kHz
Design	smooth barrel, 6.5 mm
Dimensions	42 mm
Housing material	metal, V2A (1.4301)
Material active area	Plastic, PA
End cap	Plastic, EPTR
Connection	cable
Cable quality	4 mm, LifYY-11Y, PUR, 2 m
Cable cross section	3 x 0.25 mm ²
Vibration resistance	55 Hz (1 mm)
Shock resistance	30 g (11 ms)
Protection class	IP68
MTTF	874 years acc. to SN 29500 (Ed. 99) 40 °C
Switching state	LED yellow

Wiring diagram

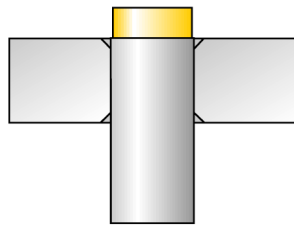
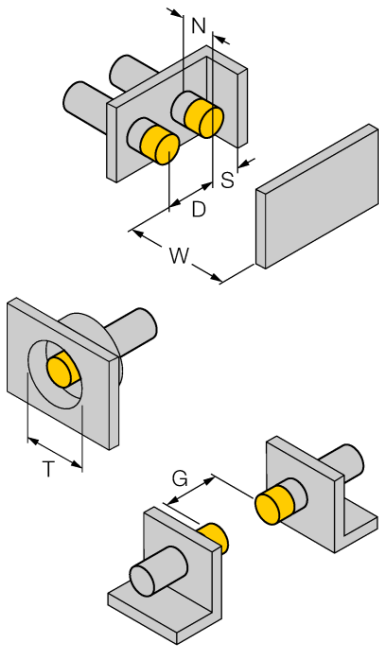


Functional principle

Inductive sensors detect metal objects contactless and wear-free. Due to the patented multi-coil system, *uprox*+ sensors have distinct advantages over conventional sensors. They excel in largest switching distances, maximum flexibility and operational reliability as well as efficient standardization.

Distance D	26 mm
Distance W	18 mm
Distance T	26 mm
Distance S	10 mm
Distance G	36 mm
Distance N	12 mm

Diameter of the active area B \varnothing 6.5 mm



All non-flush mountable cylindrical *uprox*[®]+ sensors can be screwed to the upper edge of the barrel. Safe operation of the \varnothing 6.5 mm version is guaranteed with reduced switching distance of max. 30%.