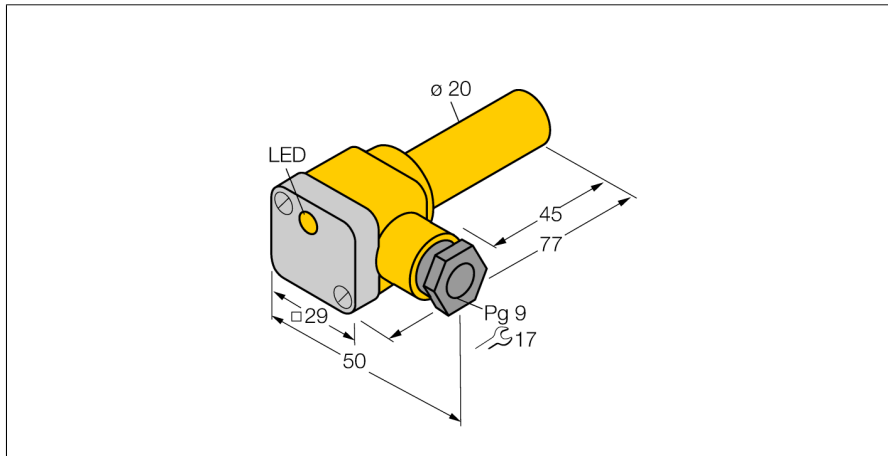
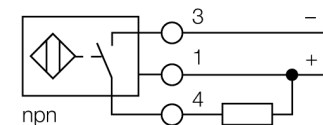


**Inductive sensor**  
**NI10-K20SK-AN6X**


- Smooth barrel, Ø 20 mm
- Plastic, PBT-GF30-V0
- 3-wire DC, 10...30 VDC
- NO contact, NPN output
- Terminal chamber

**Wiring diagram**

**Functional principle**

Inductive sensors detect metal objects contactless and wear-free. For this, they use a high-frequency electromagnetic AC field that interacts with the target. Inductive sensors generate this field via an RLC circuit with a ferrite coil.

We offer special versions for temperatures of -60 °C up to +250 °C.

<b>Type code</b>	NI10-K20SK-AN6X
Ident no.	46648
<b>Rated operating distance S<sub>n</sub></b>	10 mm
Mounting condition	non-flush
Assured sensing range	≤ (0,81 x S <sub>n</sub> ) mm
Correction factors	St37 = 1; Al = 0.3; stainless steel = 0.7; Ms = 0.4
Repeatability	≤ 2 % of full scale
Temperature drift	10 %
Hysteresis	3...15 %
Ambient temperature	-25...+70 °C
<b>Operating voltage</b>	10...30VDC
Residual ripple	≤ 10 % U <sub>ss</sub>
DC rated operational current	≤ 200 mA
No-load current I <sub>0</sub>	≤ 15 mA
Residual current	≤ 0.1 mA
Rated insulation voltage	≤ 0.5 kV
Short-circuit protection	yes/ cyclic
Voltage drop at I <sub>0</sub>	≤ 1.8 V
Wire breakage / Reverse polarity protection	yes/ complete
Output function	3-wire, NO contact, NPN
Switching frequency	1 kHz
<b>Design</b>	smooth barrel, 20 mm
Dimensions	77 mm
Housing material	plastic, PBT
Terminal chamber cover material	plastic, Ultem
Terminal chamber housing material	plastic, plastic, PA12-GF20
Material active area	Plastic, PBT
Connection	terminal chamber
Clamping ability	≤ 2.5 mm <sup>2</sup>
Cable external diameter	4.5...8mm
Vibration resistance	55 Hz (1 mm)
Shock resistance	30 g (11 ms)
Protection class	IP67
MTTF	2283 years acc. to SN 29500 (Ed. 99) 40 °C
<b>Switching state</b>	LED yellow
Included in scope of supply	BS20; cable gland; 2x plastic seals

**Inductive sensor  
NI10-K20SK-AN6X**

Distance W	3 x Sn
Distance T	3 x B
Distance S	1.5 x B
Distance G	6 x Sn
Distance N	2 x Sn

Diameter of the active area B                       $\varnothing$  20 mm



**Inductive sensor  
NI10-K20SK-AN6X**

**TURCK**

Industrial  
Automation

**Accessories**

Type code	Ident no.	Description	Dimension drawing
BS 20	69464	Fixing clamp; material mounting block: PBT	