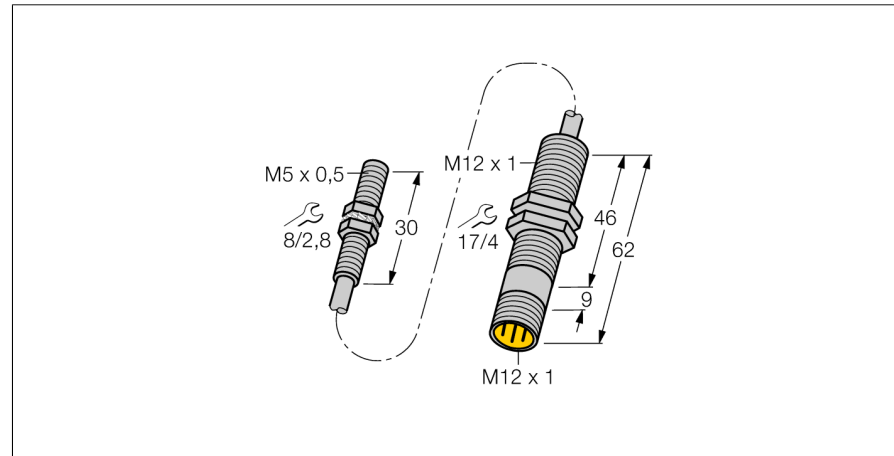
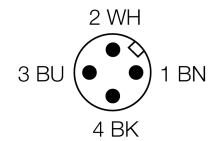


**Inductive sensor
with analog output
BI1,5-EG05-0,3-M12-SIU-H1141**



- Threaded barrel, M5 x 0,5
- Stainless steel, 1.4301
- 4-wire, 15...30 VDC
- Analog output
- 0...10 V and 0...20 mA
- Male M12 x 1

Wiring diagram

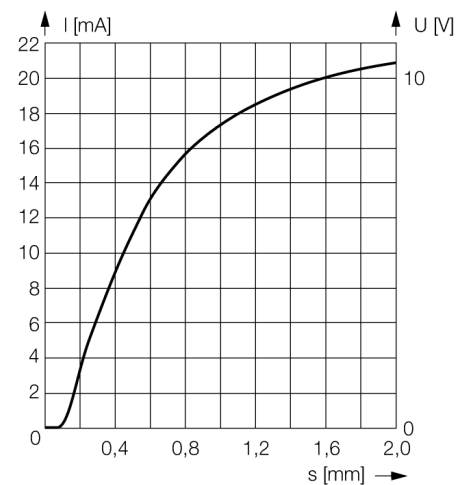


Type code	BI1,5-EG05-0,3-M12-SIU-H1141
Ident no.	1533005
Measuring range [A...B]	0.1...1.5mm
Mounting condition	flush
Correction factors	St37 = 1; Al = 0.3; stainless steel = 0.7; Ms = 0.4
Repeatability	≤ 1 % of measuring range A - B
	≤ 0.5 %, after warm-up 0.5 h
Reproducibility	≤ 14 μm
	≤ 7 μm, after a warm-up time of 0.5 h
Temperature drift	≤ ± 0.06 % / K
Ambient temperature	-25...+70 °C
Operating voltage	15...30VDC
Residual ripple	≤ 10 % U _s
No-load current I ₀	≤ 8 mA
Rated insulation voltage	≤ 0.5 kV
Short-circuit protection	yes
Wire breakage / Reverse polarity protection	yes/ complete
Output function	4-wire, analog output, non-linear
Voltage output	0...10V
Current output	0...20mA
Load resistance voltage output	≥ 4.7 kΩ
Load resistance current output	≤ 0.4 kΩ
Measuring sequence frequency	200 Hz
Design	threaded barrel, M5 x 0.5
Dimensions	30 mm
Housing material	stainless steel, 1.4427 SO
Material active area	Plastic, Ceramics
Material coupling nut	metal, CuZn, nickel-plated
Max. tightening torque housing nut	5 Nm
Connection	male, M12 x 1
Cable quality	2.4 mm, shielded, PVC, 0.3 m
Cable cross section	1 x 0.08 mm ²
Vibration resistance	55 Hz (1 mm)
Shock resistance	30 g (11 ms)
Protection class	IP67
MTTF	751 years acc. to SN 29500 (Ed. 99) 40 °C

Functional principle

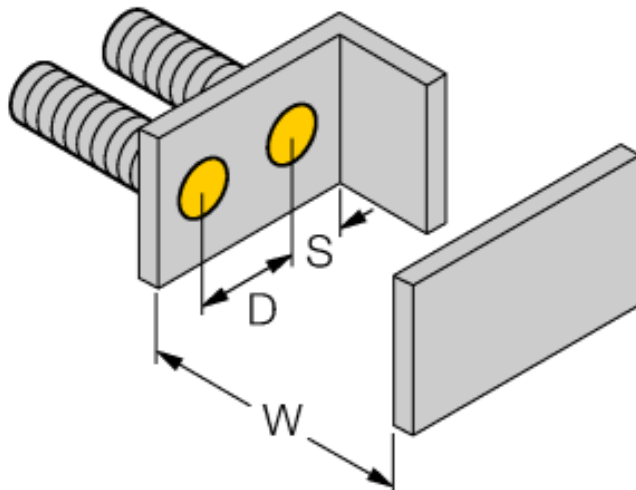
Inductive TURCK sensors with analog output accomplish simple control tasks. They provide a current, voltage or frequency signal proportional to the target's distance.

Measuring range



**Inductive sensor
with analog output
BI1,5-EG05-0,3-M12-SIU-H1141**

Distance D	8 mm
Distance W	4.5 mm
Distance T	3 x B
Distance S	6 mm
Distance G	9 mm
<hr/>	
Diameter of the active area B	Ø 5 mm



**Inductive sensor
with analog output
BI1,5-EG05-0,3-M12-SIU-H1141**

Accessories

Type code	Ident no.	Description	Dimension drawing
IM43-13-SR	7540041	Limit value monitor; 1-channel; input 0/4...20 mA or 0/2...10 V; supply of 2- or 3-wire transmitters/sensors; limit value adjustment via teach button; three relay outputs with one NO contact each; removable terminal blocks; 27 mm wide; universal voltage supply 20...250 VUC; further limit value monitors are described in our "Interface Technology" catalog.	