



LOAD MONITORING BASE CURRENT RANGE 6A 40
DEGR. C CONTROL VOLTAGE 24V DC FOR SEMICOND.
RELAY /CONTACTOR

General technical data:		
product brand name		SIRIUS
product designation		load monitoring, basis
Product function		solid-state relay / solid-state contactor 3RF2
Number of poles / for main current circuit		0
Protection class IP		IP20
Product designation / _1 / of the accessories that can be ordered		sealable end cover
Manufacturer article number / _1 / of the accessories that can be ordered		3RF2900-0RA88
Hole diameter / of the current transformer	mm	7
Number of partial loads / for load monitoring		6
Ambient temperature		
• during operating	°C	-25 ... +60
• during storage	°C	-55 ... +80
Installation altitude / at a height over sea level / maximum	m	1,000
Resistance against vibration / according to IEC 60068-2-6		2g
Resistance against shock / according to IEC 60068-2-27		15g / 11 ms
Item designation		
• according to DIN 40719 extendable after IEC 204-2 / according to IEC 750		A

- according to DIN EN 61346-2

B

Main circuit:

Number of NO contacts / for main contacts		0
Number of NC contacts / for main contacts		0
Derating temperature	°C	40
Operating frequency		
• rated value	Hz	50 ... 60
Relative symmetrical tolerance / of the operation frequency	%	10
Insulation voltage / rated value	V	600
Partial load / for load monitoring	A	0.25
Metering range current	A	0 ... 6.6

Control circuit:

type of voltage		DC
Control supply voltage		
• for DC / rated value	V	24 ... 24
• for DC / final value for signal<0>-recognition	V	12
Relative symmetrical tolerance / of the supply voltage frequency	%	10
Control current / for DC / rated value	mA	25
Response delay time	s	0.1 ... 0.1

Auxiliary circuit:

Number of NC contacts / for auxiliary contacts		0
Number of NO contacts / for auxiliary contacts		0
Number of change-over switches / for auxiliary contacts		0
Operating voltage / of the auxiliary contacts		
• for DC	V	15 ... 24
Operating current / of the auxiliary contacts		
• for DC	mA	1 ... 50
Voltage drop / at the digital output / at the switching section / at signal <1>	mV	1
Output current / at the digital output / at signal <0> / maximum	µA	200

Installation/mounting/dimensions:

Type of mounting		clip-on
Type of fixing/fixation / series installation		Yes
Width	mm	22.5
Height	mm	101.5
Depth	mm	67

Connections:

Design of the electrical connection <ul style="list-style-type: none"> • for auxiliary and control current circuit 		screw-type terminals
Design of the thread / of the connection screw / of the auxiliary and control pins		M3
Type of the connectable conductor cross-section <ul style="list-style-type: none"> • for auxiliary and control contacts <ul style="list-style-type: none"> • solid • finely stranded <ul style="list-style-type: none"> • with conductor end processing • without conductor final cutting • for AWG conductors / for auxiliary and control contacts 		1x (0.5 ... 2.5 mm ²), 2x (0.5 ... 1.0 mm ²) 1x (0.5 ... 2.5 mm ²), 2x (0.5 ... 1.0 mm ²) 1x (0.5 ... 2.5 mm ²), 2x (0.5 ... 1.0 mm ²) 1x (AWG 20 ... 12)
Conductor cross-section that can be connected / for auxiliary and control contacts <ul style="list-style-type: none"> • solid • stranded wire <ul style="list-style-type: none"> • with conductor end processing / • without conductor final cutting 	mm ²	0.5 ... 2.5
	mm ²	0.5 ... 2.5
	mm ²	0.5 ... 2.5
AWG number / as coded connectable conductor cross-section <ul style="list-style-type: none"> • for auxiliary and control contacts 		12 ... 20
Skinning length / of the cable / for auxiliary and control contacts	mm	7
Tightening torque / for auxiliary and control contacts <ul style="list-style-type: none"> • with screw-type terminals 	N·m	0.5 ... 0.6
Tightening torque (lbf·in) / for auxiliary and control contacts <ul style="list-style-type: none"> • with screw-type terminals 	lbf·in	4.5 ... 5.3

Certificates/approvals:

General Product Approval



CSA



GOST



UL



C-TICK



EG-Konf.

Test Certificates

[Type Test Certificates/Test Report](#)

other

[Environmental Confirmations](#)

Further information:

Information- and Downloadcenter (Catalogs, Brochures,...)

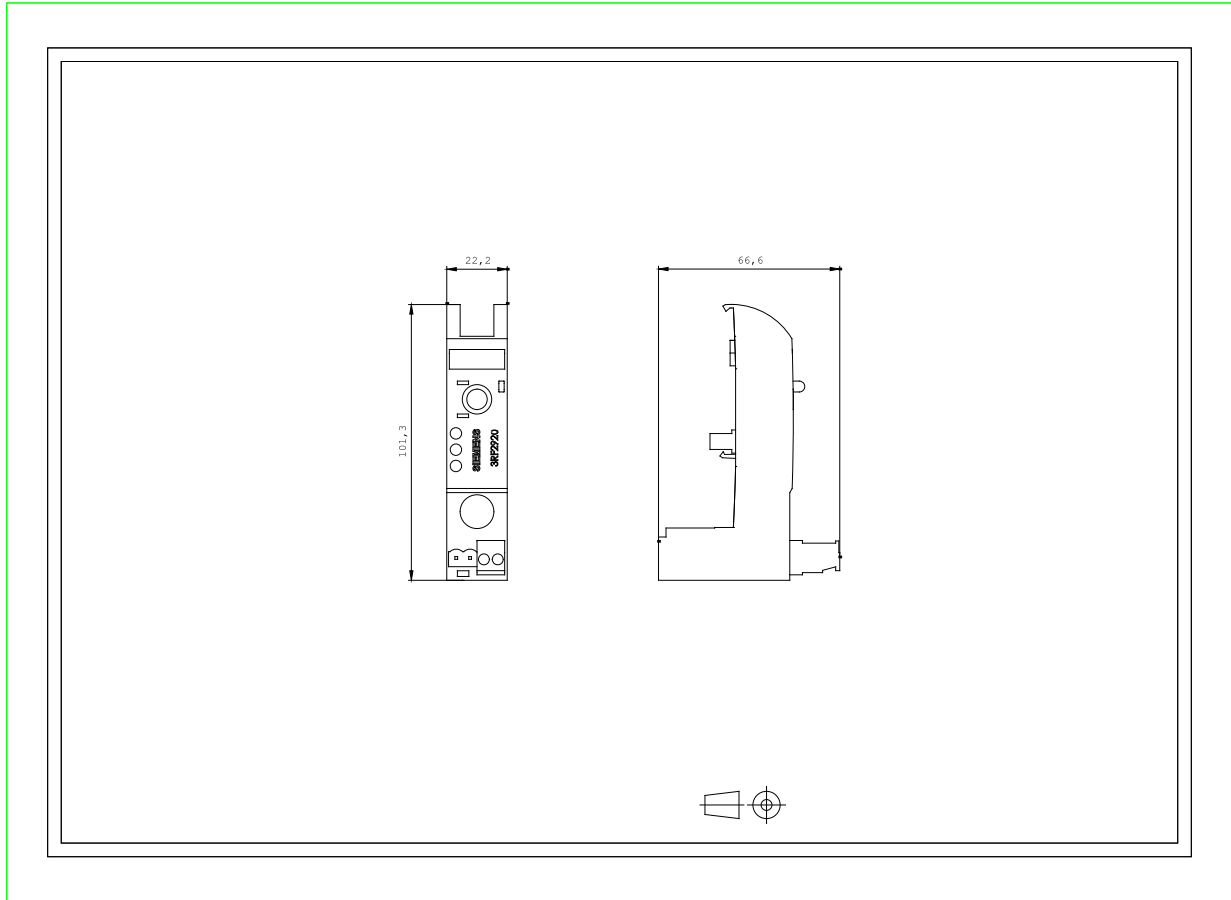
<http://www.siemens.com/industrial-controls/catalogs>

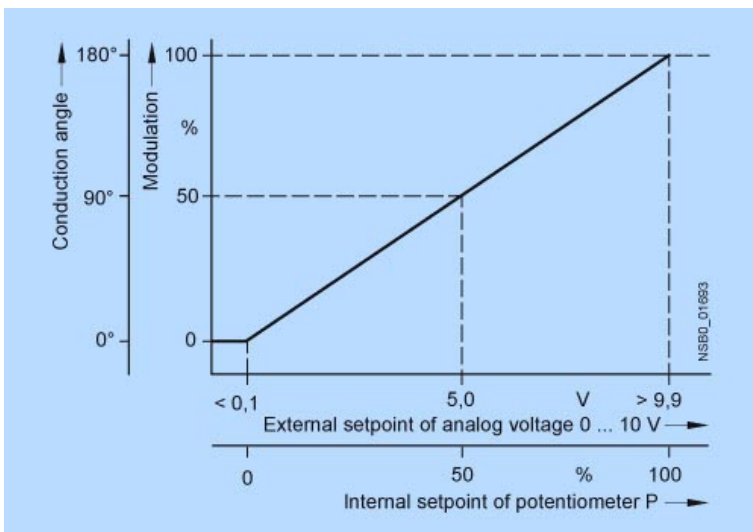
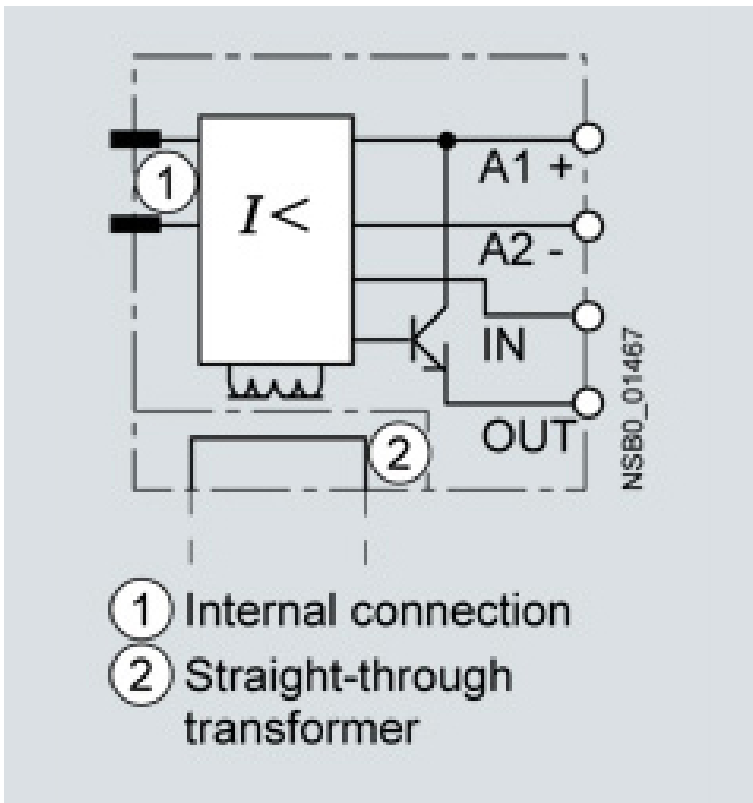
Industry Mall (Online ordering system)

<http://www.siemens.com/industrial-controls/mall>

CAX-Online-Generator

<http://www.siemens.com/cax>





last change:

Feb 18, 2013