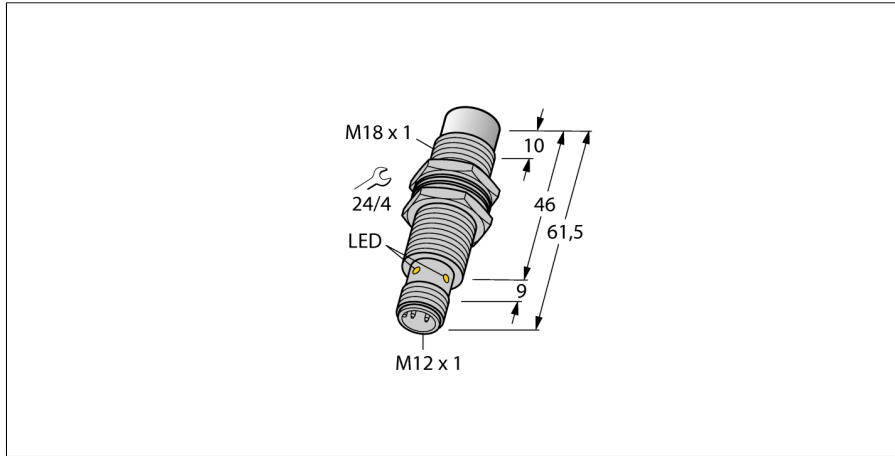


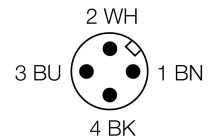
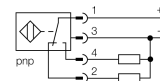
**Inductive sensor  
NI12U-MT18M-VP4X-H1141**

Industrial  
Automation



- Threaded barrel, M18 x 1
- Brass, PTFE-coated
- Factor 1 for all metals
- Resistant to magnetic fields
- Extended temperature range
- High switching frequency
- 4-wire DC, 10...65 VDC
- Changeover contact, PNP output
- Male M12 x 1

**Wiring diagram**



**Functional principle**

Inductive sensors detect metal objects contactless and wear-free. Due to the patented multicoil system, *uprox®*+ sensors have distinct advantages over conventional sensors. They detect all metals at the same large switching distance and are resistant to magnetic fields.

<b>Type code</b>	NI12U-MT18M-VP4X-H1141
Ident no.	1581457
<b>Rated operating distance Sn</b>	12 mm
Mounting condition	non-flush
Assured sensing range	≤ (0,81 x Sn) mm
Repeatability	≤ 2 % of full scale
Temperature drift	10 %
	≤ ± 15 %, ≤ -25 °C v ≥ +70 °C
Hysteresis	3...15 %
Ambient temperature	-30...+85 °C
<b>Operating voltage</b>	10...65VDC
Residual ripple	≤ 10 % U <sub>ss</sub>
DC rated operational current	≤ 200 mA
No-load current I <sub>0</sub>	≤ 15 mA
Residual current	≤ 0.1 mA
Rated insulation voltage	≤ 0.5 kV
Short-circuit protection	yes
Voltage drop at I <sub>0</sub>	≤ 1.8 V
Wire breakage / Reverse polarity protection	yes/ complete
Output function	4-wire, changover contact, PNP
Protection class	□
Switching frequency	1.5 kHz
<b>Design</b>	threaded barrel, M18 x 1
Dimensions	61.5 mm
Housing material	metal, CuZn, PTFE-coated
Material active area	Plastic, PBT, PTFE-coated
Max. tightening torque housing nut	15 Nm
Connection	male, M12 x 1
Vibration resistance	55 Hz (1 mm)
Shock resistance	30 g (11 ms)
Protection class	IP67
MTTF	874 years acc. to SN 29500 (Ed. 99) 40 °C
<b>Switching state</b>	LED yellow

**Inductive sensor  
NI12U-MT18M-VP4X-H1141**

Distance D	3 x B
Distance W	3 x Sn
Distance T	65 mm
Distance S	1.5 x B
Distance G	6 x Sn
Distance N	2 x Sn
<b>Diameter of the active area B</b> Ø 18 mm	



**Accessories**

Type code	Ident no.	Description	Dimension drawing
QMT-18	6945104	Quick-mount bracket with dead-stop; material: brass, PTFE-coated; male thread M24 x 1,5. Note: The switching distance of the proximity switches may reduce when using quick-mount brackets.	
BST-18B	6947214	Fixing clamp for threaded barrel devices, with dead-stop; material: PA6	
BSS-18	6901320	Mounting bracket for smooth and threaded barrel devices; material: Polypropylene	