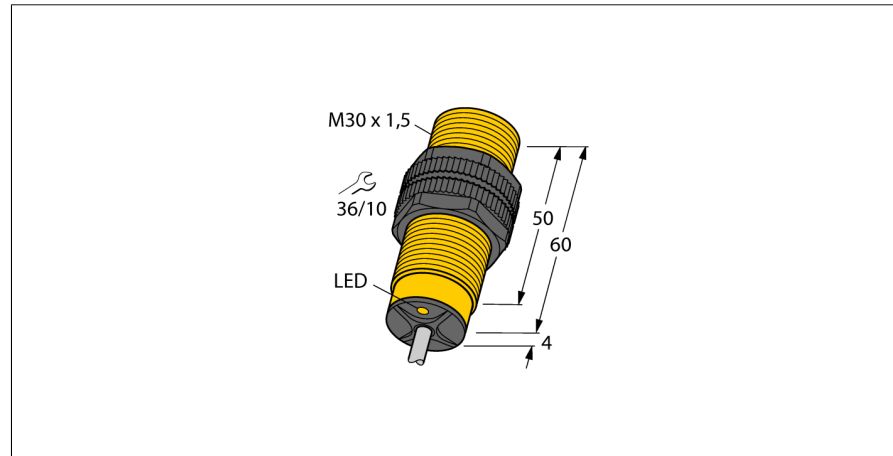
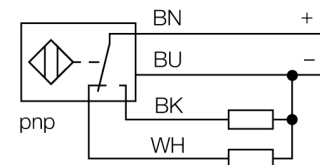


**Inductive sensor
with extended temperature range
BI10-S30-VP4X/S100**



- Threaded barrel, M30 x 1.5
- Plastic, PA12-GF30
- For temperatures up to +100 °C
- 4-wire DC, 10...65 VDC
- Changeover contact, PNP output
- Cable connection

Wiring diagram

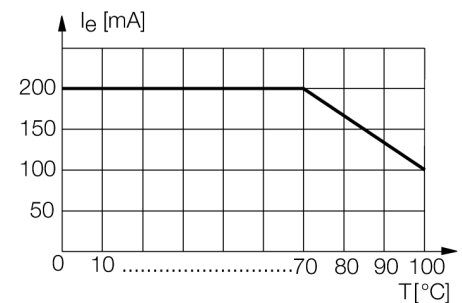


Functional principle

Inductive sensors detect metal objects contactless and wear-free. For this purpose they use a high-frequency electromagnetic AC field that interacts with the target. The sensors hosting a ferrite core coil generate the AC field through an LC resonant circuit.

Special versions are available for ambient temperatures between -60°C and +250°C.

derating curve



Type code	BI10-S30-VP4X/S100
Ident no.	15140
Rated operating distance Sn	10 mm
Mounting condition	flush
Assured sensing range	≤ (0,81 x Sn) mm
Correction factors	St37 = 1; Al = 0.3; stainless steel = 0.7; Ms = 0.4
Repeatability	≤ 2 % of full scale
Temperature drift	10 %
	≤ ± 20 %, ≥ +70 °C
Hysteresis	3...15 %
Ambient temperature	-25...+100 °C
Operating voltage	10...65VDC
Residual ripple	≤ 10 % U _{in}
DC rated operational current	≤ 200 mA
Rated operational current	see derating curve
No-load current I ₀	≤ 15 mA
Residual current	≤ 0.1 mA
Rated insulation voltage	≤ 0.5 kV
Short-circuit protection	yes
Voltage drop at I _e	≤ 1.8 V
Wire breakage / Reverse polarity protection	yes/ complete
Output function	4-wire, changover contact, PNP
Switching frequency	0.5 kHz
Design	threaded barrel, M30 x 1.5
Dimensions	64 mm
Housing material	plastic, PA
Material active area	Plastic, PA
End cap	Plastic, EPTR
Max. tightening torque housing nut	5 Nm
Connection	cable
Cable quality	5.2 mm, LifYY-T105, PVC, 2 m
Cable cross section	4 x 0.34 mm ²
Vibration resistance	55 Hz (1 mm)
Shock resistance	30 g (11 ms)
Protection class	IP67
MTTF	2283 years acc. to SN 29500 (Ed. 99) 40 °C
Switching state	LED yellow

**Inductive sensor
with extended temperature range
BI10-S30-VP4X/S100**

Distance D	2 x B
Distance W	3 x Sn
Distance T	3 x B
Distance S	1.5 x B
Distance G	6 x Sn
<hr/>	
Diameter of the active area B	Ø 30 mm



**Inductive sensor
with extended temperature range
BI10-S30-VP4X/S100**

Accessories

Type code	Ident no.	Description	Dimension drawing
QM-30	6945103	Quick-mount bracket with dead-stop; material: Chrome-plated brass Male thread M36 x 1.5. Note: The switching distance of proximity switches can be reduced by the use of quick-mount brackets.	
BST-30B	6947216	Fixing clamp for threaded barrel devices, with dead-stop; material: PA6	
MW-30	6945005	Mounting bracket for threaded barrel devices; material: Stainless steel A2 1.4301 (AISI 304)	
BSS-30	6901319	Mounting bracket for smooth and threaded barrel devices; material: Polypropylene	