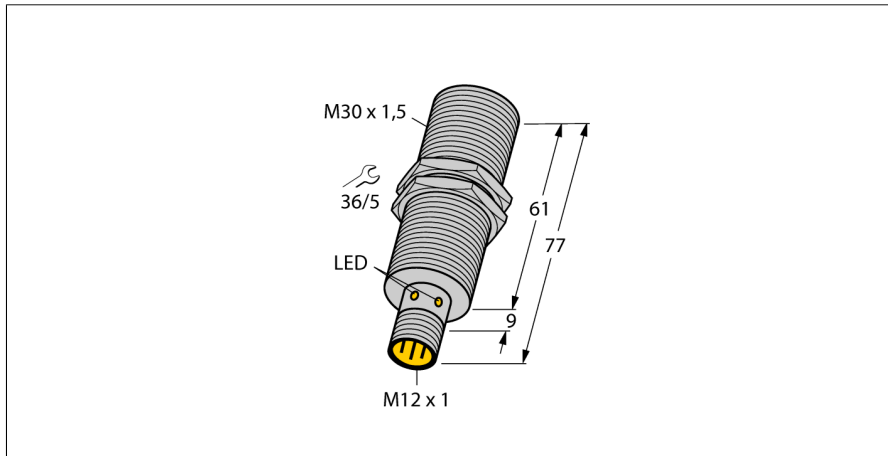
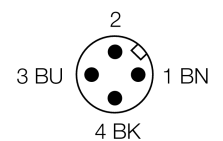
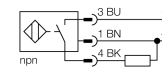


**Inductive sensor  
with selective targeting  
BI10NF-EM30HE-AN6X2-H1141**



- Threaded barrel, M30 x 1.5
- Stainless steel, 1.4301
- Duroplast front cap, very resistant to thermal and mechanical load
- Detects non-ferromagnetic metals only
- 3-wire DC, 10...30 VDC
- NO contact, NPN output
- Male M12 x 1

**Wiring diagram**



**Functional principle**

Inductive sensors detect metal objects contactless and wear-free. For this purpose they use a high-frequency electromagnetic AC field that interacts with the target.

Inductive sensors of the NF series with selective performance detect non-ferrous metals only.

<b>Type code</b>	BI10NF-EM30HE-AN6X2-H1141
Ident no.	1615005
<b>Rated operating distance Sn</b>	10 mm
Mounting condition	flush
Assured sensing range	≤ (0,81 x Sn) mm
Repeatability	≤ 2 % of full scale
Temperature drift	10 %
Hysteresis	3...15 %
Ambient temperature	0...+60 °C
<b>Operating voltage</b>	10...30VDC
Residual ripple	≤ 10 % U <sub>ss</sub>
DC rated operational current	≤ 200 mA
No-load current I <sub>0</sub>	≤ 15 mA
Residual current	≤ 0.1 mA
Rated insulation voltage	≤ 0.5 kV
Short-circuit protection	yes/ cyclic
Voltage drop at I <sub>0</sub>	≤ 1.8 V
Wire breakage / Reverse polarity protection	yes/ complete
Output function	3-wire, NO contact, NPN
Protection class	□
Switching frequency	2 kHz
<b>Design</b>	threaded barrel, M30 x 1.5
Dimensions	77 mm
Housing material	stainless steel, V2A (1.4301)
Material active area	Plastic, Duroplast
Max. tightening torque housing nut	75 Nm
Connection	male, M12 x 1
Vibration resistance	55 Hz (1 mm)
Shock resistance	30 g (11 ms)
Protection class	IP67
<b>Power-on indication</b>	LED green
Switching state	LED yellow

**Inductive sensor  
with selective targeting  
BI10NF-EM30HE-AN6X2-H1141**

Distance D	2 x B
Distance W	3 x Sn
Distance T	3 x B
Distance S	1.5 x B
Distance G	6 x Sn
<hr/>	
Diameter of the active area B	Ø 30 mm



**Inductive sensor  
with selective targeting  
BI10NF-EM30HE-AN6X2-H1141**

**Accessories**

Type code	Ident no.	Description	Dimension drawing
QM-30	6945103	Quick-mount bracket with dead-stop; material: Chrome-plated brass Male thread M36 x 1.5. Note: The switching distance of proximity switches can be reduced by the use of quick-mount brackets.	
BST-30B	6947216	Fixing clamp for threaded barrel devices, with dead-stop; material: PA6	
MW-30	6945005	Mounting bracket for threaded barrel devices; material: Stainless steel A2 1.4301 (AISI 304)	
BSS-30	6901319	Mounting bracket for smooth and threaded barrel devices; material: Polypropylene	