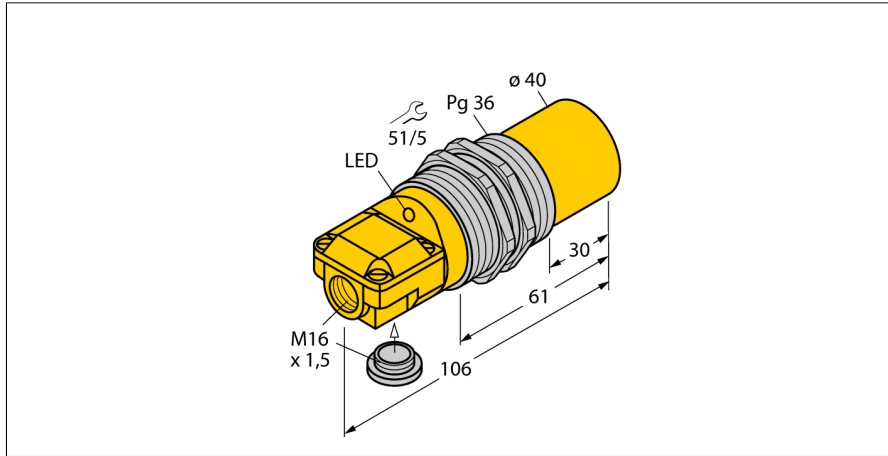


Inductive sensor NI40-G47SR-VN4X2

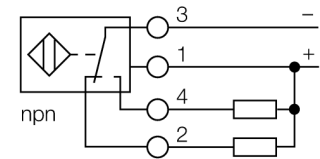
TURCK

Industrial
Automation



- 2 cable entries (axial, radial)
- Threaded barrel, Pg36
- Chrome-plated brass
- 4-wire DC, 10...65 VDC
- Changeover contact, NPN output
- Terminal chamber

Wiring diagram



Functional principle

Inductive sensors detect metal objects contactless and wear-free. For this, they use a high-frequency electromagnetic AC field that interacts with the target. Inductive sensors generate this field via an RLC circuit with a ferrite coil.

We offer special versions for temperatures of -60 °C up to +250 °C.

Type code	NI40-G47SR-VN4X2
Ident no.	15750
Rated operating distance S_n	40 mm
Mounting condition	non-flush
Assured sensing range	$\leq (0,81 \times S_n)$ mm
Correction factors	St37 = 1; Al = 0.3; stainless steel = 0.7; Ms = 0.4
Repeatability	$\leq 2\%$ of full scale
Temperature drift	10 %
Hysteresis	3...15 %
Ambient temperature	-25...+70 °C
Operating voltage	10...65VDC
Residual ripple	$\leq 10\% U_{ss}$
DC rated operational current	≤ 200 mA
No-load current I_0	≤ 15 mA
Residual current	≤ 0.1 mA
Rated insulation voltage	≤ 0.5 kV
Short-circuit protection	yes/ cyclic
Voltage drop at I_n	≤ 1.8 V
Wire breakage / Reverse polarity protection	yes/ complete
Output function	4-wire, changover contact, NPN
Switching frequency	0.1 kHz
Design	threaded barrel, G47
Dimensions	106 mm
Housing material	metal, CuZn, chrome-plated
Material active area	Plastic, PA
Max. tightening torque housing nut	90 Nm
Connection	terminal chamber
Clamping ability	≤ 2.5 mm ²
Vibration resistance	55 Hz (1 mm)
Shock resistance	30 g (11 ms)
Protection class	IP67
MTTF	2283 years acc. to SN 29500 (Ed. 99) 40 °C
Power-on indication	LED green
Switching state	LED yellow
Included in scope of supply	cable gland, blanking plug

**Inductive sensor
NI40-G47SR-VN4X2**

Distance D	3 x B
Distance W	3 x Sn
Distance T	3 x B
Distance S	1.5 x B
Distance G	6 x Sn
Distance N	40 mm

Diameter of the active area B \varnothing 47 mm



**Inductive sensor
NI40-G47SR-VN4X2**

TURCK

Industrial
Automation

Accessories

Type code	Ident no.	Description	Dimension drawing
MW 47	69452	Mounting bracket; material: Steel plate, zinc-plated	