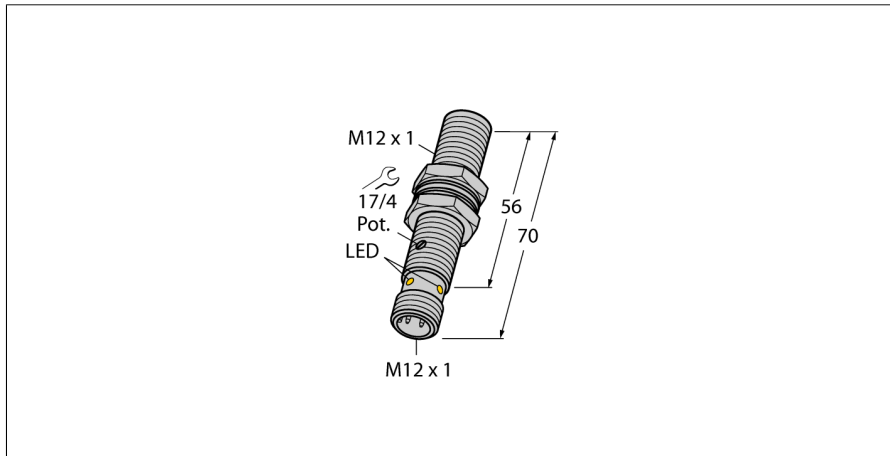


Capacitive sensor BC3-M12-AN6X-H1141

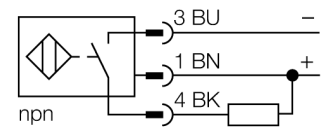
TURCK

Industrial
Automation



- Threaded barrel, M12 x 1
- Chrome-plated brass
- Fine adjustment via potentiometer
- DC 3-wire, 10...30 VDC
- NO contact, NPN output
- M12 x 1 connector

Wiring diagram



Functional principle

Capacitive proximity switches are designed for non-contact and wear-free detection of electrically conductive as well as non-conductive metal objects.

Type code	BC3-M12-AN6X-H1141
Ident no.	2601012
Rated switching distance (flush)	3 mm
Rated switching distance (non-flush)	3 mm
Assured sensing range	≤ (0.72 x S _n) mm
Hysteresis	2...20 %
Temperature drift	type ≤ ± 20 %
Repeatability	≤ 2 % of full scale
Ambient temperature	-25...+70 °C
Operating voltage	10...30VDC
Residual ripple	≤ 10 % U _s
DC rated operational current	≤ 200 mA
No-load current I ₀	≤ 15 mA
Residual current	≤ 0.1 mA
Switching frequency	0.1 kHz
Rated insulation voltage	≤ 0.5 kV
Output function	3-wire, NO contact, NPN
Short-circuit protection	yes/ cyclic
Voltage drop at I ₀	≤ 1.8 V
Wire breakage / Reverse polarity protection	yes/ complete
Design	threaded barrel, M12 x 1
Dimensions	70 mm
Housing material	metal, CuZn, chrome-plated
Material active area	Plastic, ABS, yellow
Admissible pressure on front cap	≤ 5 bar
Max. tightening torque housing nut	10 Nm
Connection	male, M12 x 1
Vibration resistance	55 Hz (1 mm)
Shock resistance	30 g (11 ms)
Protection class	IP67
MTTF	1080 years acc. to SN 29500 (Ed. 99) 40 °C

**Capacitive sensor
BC3-M12-AN6X-H1141**

Mounting instructions / Description	minimum distances
Distance D	24 mm
Distance W	9 mm
Distance S	18 mm
Distance G	18 mm

Diameter of the active area B \varnothing 12 mm



The given minimum distances have been checked in compliance with the standard switching distance. Should the sensitivity of the sensors be changed via potentiometer, the data sheet specifications no longer apply.



Capacitive sensor BC3-M12-AN6X-H1141

TURCK

Industrial
Automation

Accessories

Type code	Ident no.	Description	Dimension drawing
MAP-M12-PP	6950016	Mounting adapter; material: Polypropylene; sensor replacement with filled container possible (adapter remains in container during sensor replacement)	
MAP-M12-PVDF	6950017	Mounting adapter; material: Polyvinylidenfluorid; sensor can be replaced with filled container (adapter remains in container during replacement)	
BST-12B	6947212	Fixing clamp for threaded barrel devices, with dead-stop; material: PA6	

Wiring accessories

Type code	Ident no.	Description	Dimension drawing
RKC4.4T-2/TXL	6625503	Connection cable, female M12, straight, 4-pin, cable length: 2 m, sheath material: PUR, black; cULus approval; other cable lengths and qualities available, see www.turck.com	
WKC4.4T-2/TXL	6625515	Connection cable, female M12, angled, 4-pin, cable length: 2 m, sheath material: PUR, black; cULus approval; other cable lengths and qualities available, see www.turck.com	

Capacitive sensor
BC3-M12-AN6X-H1141

Wiring accessories

Type code	Ident no.	Description	Dimension drawing
RKC4.4T-2/TEL	6625013	Connection cable, female M12, straight, 4-pin, cable length: 2 m, sheath material: PVC, black; cULus approval; other cable lengths and qualities available, see www.turck.com	
WKC4.4T-2/TEL	6625025	Connection cable, female M12, angled, 4-pin, cable length: 2 m, sheath material: PVC, black; cULus approval; other cable lengths and qualities available, see www.turck.com	