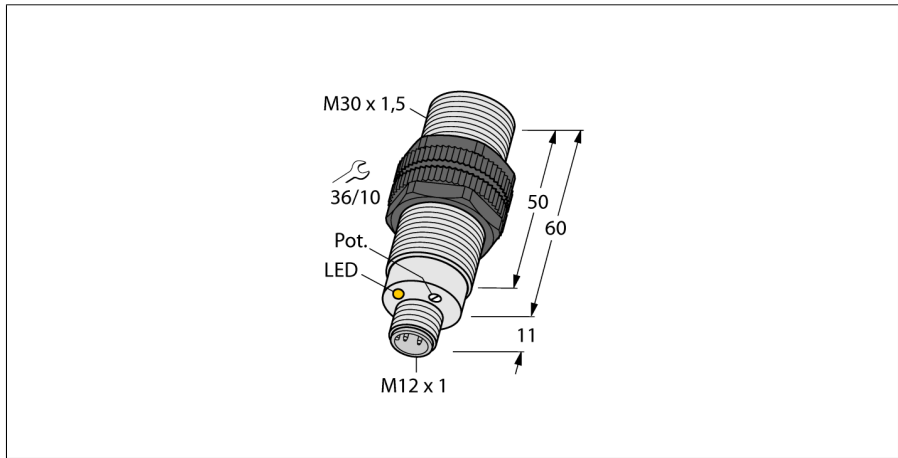
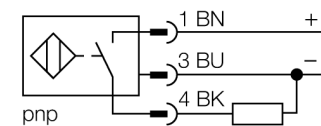


**Capacitive sensor  
for the detection of dry pellets  
BCC10-S30WD-AP4X-H1141**



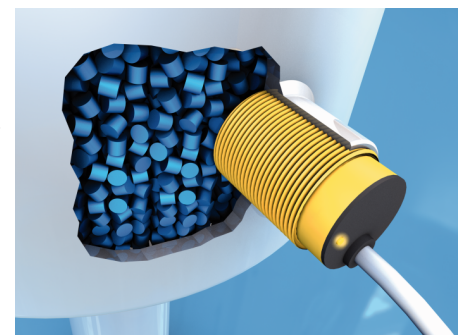
- Threaded barrel, M30 x 1.5
- LCP
- Fine adjustment via potentiometer
- Especially for dry pellets and the plastics industry
- EMC and ESD resistant
- DC 3-wire, 10...65 VDC
- NO contact, PNP output
- M12 x 1 connector

**Wiring diagram**



**Functional principle**

Level monitoring of pellets is usually done with sensors mounted in pipes, silos or on inspection windows. The new TURCK sensor series features excellent EMC and ESD properties. Mounting in metal flanges induces lateral predamping which disturbs normal sensor. This effect is neutralized with a laterally mounted shield and an integrated processing unit. A constant switching distance is thus achieved.



<b>Type code</b>	BCC10-S30WD-AP4X-H1141
<b>Ident no.</b>	2503052
<b>Rated switching distance (flush)</b>	10 mm
Rated switching distance (non-flush)	10 mm
Assured sensing range	≤ (0.72 x Sn) mm
Hysteresis	2...20 %
Temperature drift	type ≤ ± 20 %
Repeatability	≤ 2 % of full scale
Ambient temperature	-25...+100 °C
<b>Operating voltage</b>	10...65VDC
Residual ripple	≤ 10 % U <sub>is</sub>
DC rated operational current	≤ 200 mA
No-load current I <sub>0</sub>	≤ 15 mA
Residual current	≤ 0.1 mA
Switching frequency	0.1 kHz
Rated insulation voltage	≤ 0.5 kV
Output function	3-wire, NO contact, PNP
Short-circuit protection	yes/ cyclic
Voltage drop at I <sub>0</sub>	≤ 1.8 V
Wire breakage / Reverse polarity protection	yes/ complete
<b>Design</b>	threaded barrel, M30 x 1.5
Housing material	plastic, LCP
Material active area	Plastic, LCP
Max. tightening torque housing nut	5 Nm
Connection	male, M12 x 1
Vibration resistance	55 Hz (1 mm)
Shock resistance	30 g (11 ms)
Protection class	IP69K front / IP67 back
MTTF	1080 years acc. to SN 29500 (Ed. 99) 40 °C

**Capacitive sensor  
for the detection of dry pellets  
BCC10-S30WD-AP4X-H1141**

Mounting instructions / Description	minimum distances
Distance D	60 mm
Distance W	30 mm
Distance S	45 mm
Distance G	60 mm

---

Diameter of the active area B	Ø 30 mm
-------------------------------	---------



The given minimum distances have been checked in compliance with the standard switching distance. Should the sensitivity of the sensors be changed via potentiometer, the data sheet specifications no longer apply.

