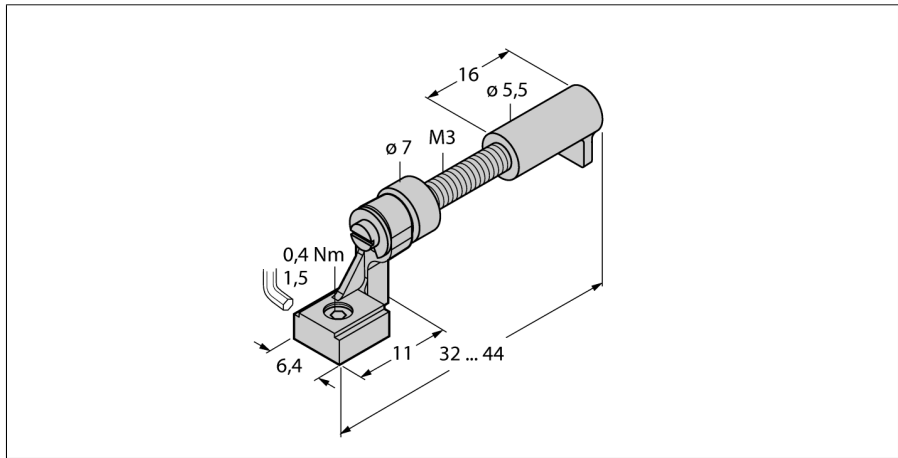


**Mounting accessories
for t-groove cylinders
UNT-Justage**



- Accessories for sensor fine-tuning
- Mounting on T-groove cylinders
- Snap-lock mounting in equipment fixture of the sensor

General description

The sensor programme comprises inductive, magnetic-inductive, capacitive, photoelectric and ultrasonic sensors as well as pressure and flow controls.

A broad range of practice-oriented accessories ensure optimal adaption to your system.

Type code	UNT-Justage
Ident no.	4685750
Design	accessories for rectangular types
Dimensions	32 x 6.4 mm
Housing material	metal/plastic