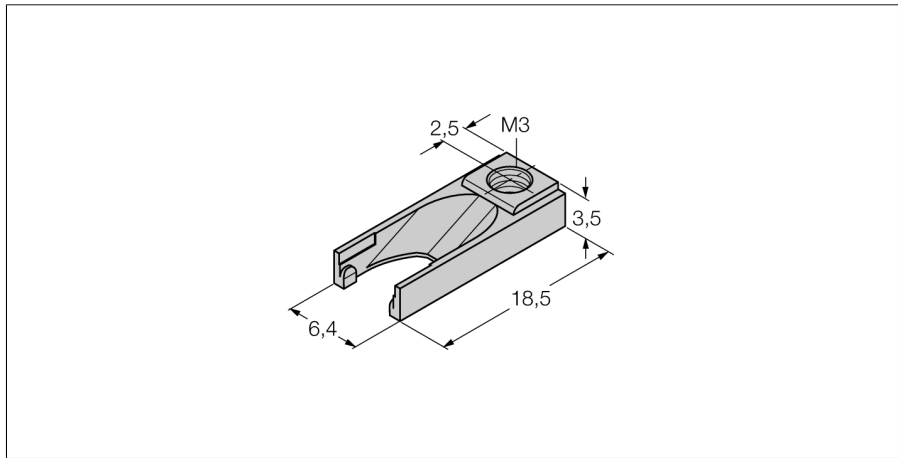


**Mounting accessories  
for t-groove cylinders  
UNT-Stopper**



- Potentiometer for safeguarding the switchpoint
- Mounting on T-groove cylinders
- Snap-lock mounting in equipment fixture of the sensor

**General description**

The sensor programme comprises inductive, magnetic-inductive, capacitive, photoelectric and ultrasonic sensors as well as pressure and flow controls.

A broad range of practice-oriented accessories ensure optimal adaption to your system.

<b>Type code</b>	UNT-Stopper
Ident no.	4685751
<b>Design</b>	accessories for rectangular types
Dimensions	18.5 x 6.4 x 3.5 mm
Housing material	plastic