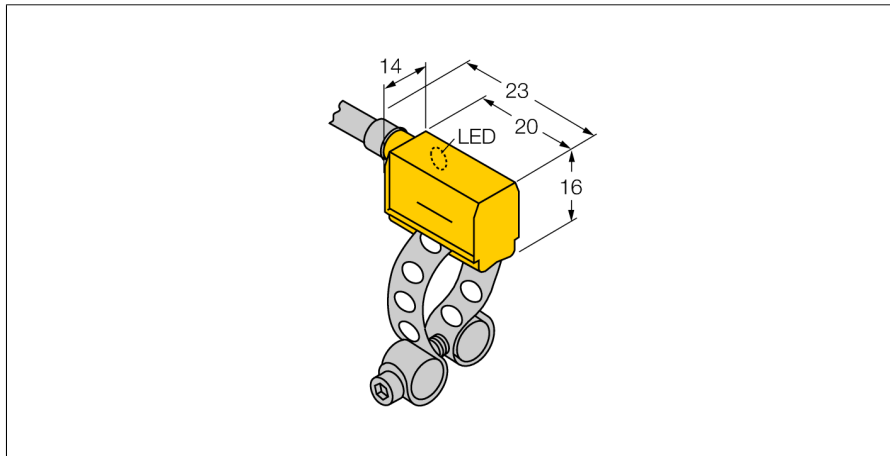
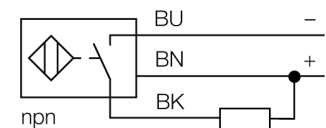


**Magnetic field sensor
for pneumatic cylinders
BIM-PST-AN6X**



- Rectangular, height 16 mm
- Front active face
- Plastic, PA12-GF30
- Magnetic-inductive sensor
- DC 3-wire, 10...30 VDC
- NO contact, NPN output
- Cable connection

Wiring diagram



Functional principle

Magnetic field sensors are activated by magnetic fields and are especially suited for piston position detection in pneumatic cylinders. Based on the fact that magnetic fields can permeate non-magnetizable metals, it is possible to detect a permanent magnet attached to the piston through the aluminium wall of the cylinder.

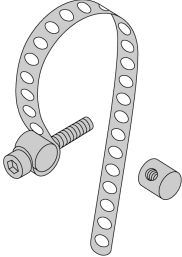
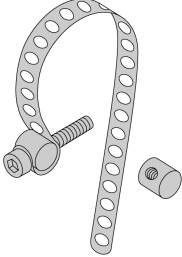
Type code	BIM-PST-AN6X
Ident no.	46241
Pass speed	≤ 10 m/s
Repeatability	≥ ± 0.1 mm
Temperature drift	≤ 0.1 mm
Hysteresis	≤ 1 mm
Ambient temperature	-25...+70 °C
Operating voltage	10...30VDC
Residual ripple	≤ 10 % U _s
DC rated operational current	≤ 200 mA
No-load current I ₀	≤ 15 mA
Residual current	≤ 0.1 mA
Rated insulation voltage	≤ 0.5 kV
Short-circuit protection	yes/ cyclic
Voltage drop at I ₀	≤ 1.8 V
Wire breakage / Reverse polarity protection	yes/ complete
Output function	3-wire, NO contact, NPN
Switching frequency	1 kHz
Design	rectangular, PST
Dimensions	23 x 14 x 16 mm
Housing material	plastic, PA
Material active area	Plastic, PA
Connection	cable
Cable quality	4 mm, grey, LifYY, PVC, 2 m
Cable cross section	3 x 0.25 mm ²
Vibration resistance	55 Hz (1 mm)
Shock resistance	30 g (11 ms)
Protection class	IP67
MTTF	2283 years acc. to SN 29500 (Ed. 99) 40 °C
Mounting on the following profiles	.
Cylindrical design	○
Switching state	LED yellow
Included in scope of supply	KLP25

**Magnetic field sensor
for pneumatic cylinders
BIM-PST-AN6X**

TURCK

Industrial
Automation

Accessories

Type code	Ident no.	Description	Dimension drawing
KLP 25 MONTAGESET	69653	Mounting on \bigcirc cylinders; cylinder diameter 8...25 mm (material: Metal CuZn), 2 tie bolts (material: Metal CuZn), cylinder screw M3 x 20	
KLP 80-VA	69654	Mounting on \bigcirc cylinders; cylinder diameter 25...80 mm (material: Metal A2 1.4301 (AISI 304), 2 tie bolts (material: Metal CuZn, alternatively metal A2 1.4301 / AISI 304) cylinder screw M3 x 20; (DIN 912-A20)	
KLP 200-VA	6965302	Mounting on \bigcirc cylinders; cylinder diameter 80...200 mm (material: Metal A2 1.4301 (AISI 304), 2 tie bolts (material: Metal CuZn, alternatively metal A2 1.4301 / AISI 304) cylinder screw M3 x 20; (DIN 912-A20)	