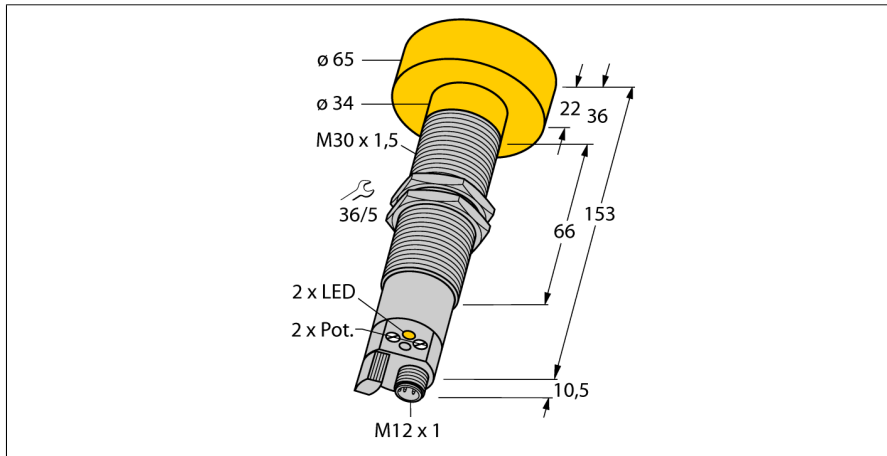


# Ultrasonic sensor

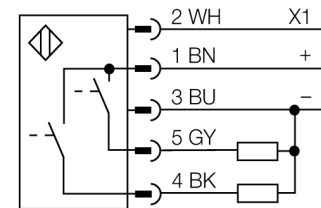
## diffuse mode sensor

### RUC600-M3065-2AP8X-H1151



- Upper value of first and second switching range adjustable via potentiometer
- Further parameters adjustable via programming device RU-PDI (accessories)
- 2 PNP transistor outputs (NO contact)
- synchronizable
- opening angle of sonic cone 6°

#### Wiring diagram



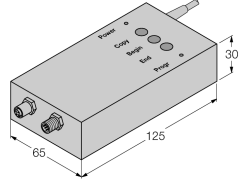
#### Functional principle

Ultrasonic sensors use ultrasonic waves for non-contact and wear-free detection of many objects. Regardless of whether the object is transparent or opaque, metallic or non-metallic, or of liquid, solid or powdery consistency. Even environmental conditions such as spray, dust or rain hardly affect their function.

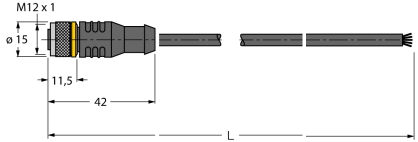
<b>Type code</b>	RUC600-M3065-2AP8X-H1151
Ident no.	1840620
<b>Design</b>	cylindrical/threaded, M30
Dimensions	Ø65 x 163.5 mm
Housing material	metal, CuZn, nickel-plated
Connection	male, M12 x 1
Protection class	IP65
Ambient temperature	-25...+70 °C
<b>Switching state</b>	LED yellow
<b>Operating voltage</b>	20...30VDC
DC rated operational current	≤ 300 mA
No-load current I <sub>0</sub>	≤ 50 mA
Output function	2x NO, PNP
Switching frequency	1 Hz
Hysteresis	≤ 60 mm
Voltage drop at I <sub>0</sub>	≤ 3 V
Short-circuit protection	yes/ cyclic
Reverse polarity protection	complete
Wire breakage protection	yes
<b>Range</b>	60...600 cm
Ultrasound frequency	80 kHz
Repeatability	≥ ± 9 mm
Temperature drift	1.5% of full scale
Edge lengths of the nominal actuator	100 mm
Approach speed	≤ 18 m/s
Pass speed	≤ 3.7 m/s

**Ultrasonic sensor  
diffuse mode sensor  
RUC600-M3065-2AP8X-H1151**

**Accessories**

Type code	Ident no.	Description	Dimension drawing
RU-PDI	1890000	programming device for configuration of ultrasonic sensor types RU...-M18 and RUC...-M30	

**Wiring accessories**

Type code	Ident no.	Description	Dimension drawing
RKC4.5T-2/TEL	6625016	Connection cable, female M12, straight, 5-pin, cable length: 2 m, sheath material: PVC, black; cULus approval; other cable lengths and qualities available, see <a href="http://www.turck.com">www.turck.com</a>	
WKC4.5T-2/TEL	6625028	Connection cable, female M12, angled, 5-pin, cable length: 2 m, sheath material: PVC, black; cULus approval; other cable lengths and qualities available, see <a href="http://www.turck.com">www.turck.com</a>	