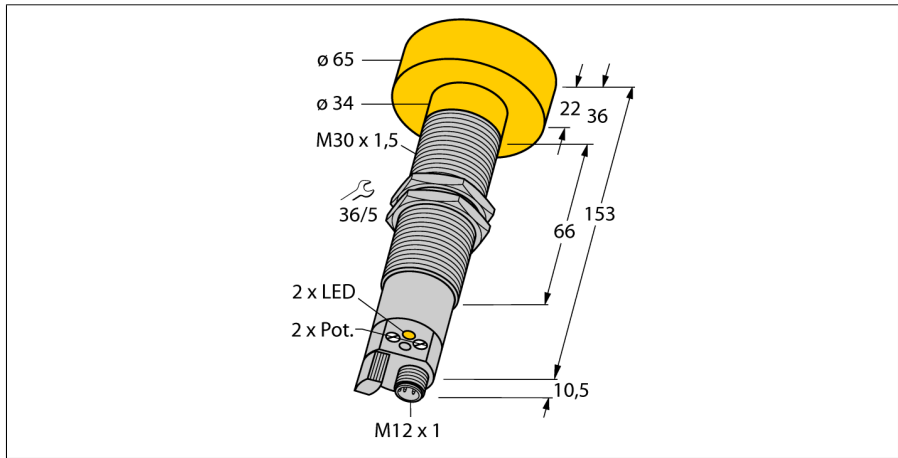
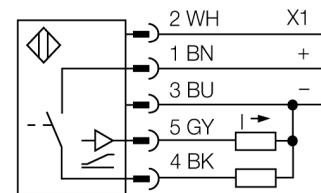


**ultrasonic sensor
diffuse mode sensor
RUC600-M3065-LIAP8X-H1151**



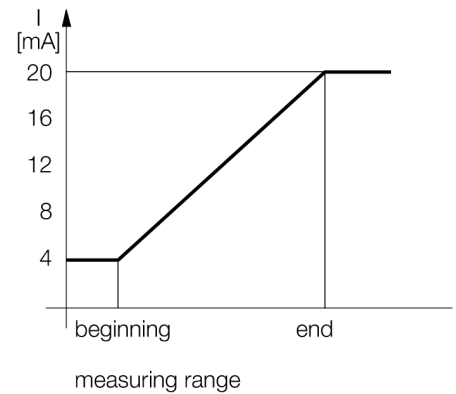
- Lower and upper switching value adjustable via potentiometer
- Further parameters (e.g. analog range) adjustable via programming device RUPDI (accessories)
- Analog output, 4...20 mA
- PNP transistor output (NO contact)
- Synchronizable
- Opening angle of sonic cone 6°

Wiring diagram



Functional principle

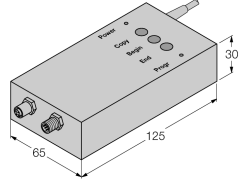
Ultrasonic sensors use ultrasonic waves for non-contact and wear-free detection of many objects. Regardless of whether the object is transparent or opaque, metallic or non-metallic, or of liquid, solid or powdery consistency. Even environmental conditions such as spray, dust or rain hardly affect their function.



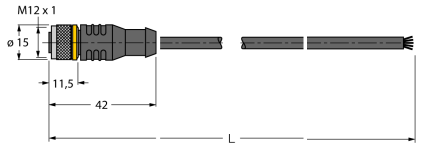
Type code	RUC600-M3065-LIAP8X-H1151
Ident no.	1840630
Design	cylindrical/threaded, M3065
Dimensions	Ø65 x 163.5 mm
Housing material	metal, CuZn, nickel-plated
Connection	male, M12 x 1
Protection class	IP65
Ambient temperature	-25...+70 °C
Switching state	LED yellow
Operating voltage	20...30VDC
DC rated operational current	≤ 300 mA
No-load current I ₀	≤ 50 mA
Load resistance	≤ 300 Ω
Output function	NO contact, PNP/analog output
Current output	4...20mA
Switching frequency	1 Hz
Hysteresis	≤ 60 mm
Voltage drop at I _e	≤ 3 V
Short-circuit protection	yes/ cyclic
Reverse polarity protection	complete
Wire breakage protection	yes
Range	60...600 cm
Ultrasound frequency	80 kHz
Repeatability	≥ ± 9 mm
Temperature drift	1.5% of full scale
Linearity error	≤ ± 0.5 %
Edge lengths of the nominal actuator	100 mm
Approach speed	≤ 18 m/s
Pass speed	≤ 3.7 m/s

**ultrasonic sensor
diffuse mode sensor
RUC600-M3065-LIAP8X-H1151**

Accessories

Type code	Ident no.	Description	Dimension drawing
RU-PDI	1890000	programming device for configuration of ultrasonic sensor types RU...-M18 and RUC...-M30	

Wiring accessories

Type code	Ident no.	Description	Dimension drawing
RKC4.5T-2/TEL	6625016	Connection cable, female M12, straight, 5-pin, cable length: 2 m, sheath material: PVC, black; cULus approval; other cable lengths and qualities available, see www.turck.com	
WKC4.5T-2/TEL	6625028	Connection cable, female M12, angled, 5-pin, cable length: 2 m, sheath material: PVC, black; cULus approval; other cable lengths and qualities available, see www.turck.com	