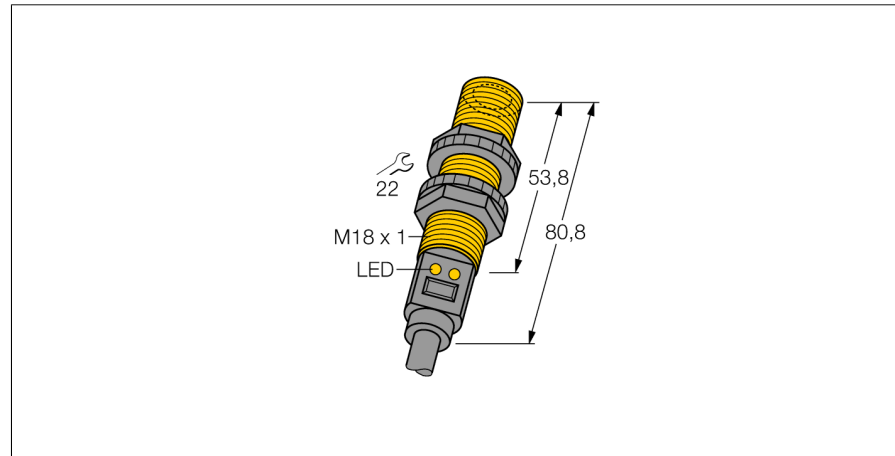
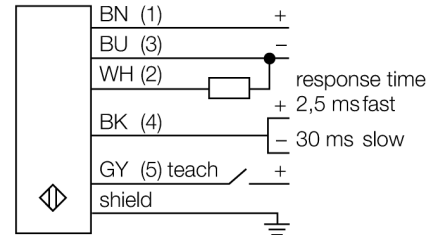


**Ultrasonic sensor  
diffuse mode sensor  
S18UUA**



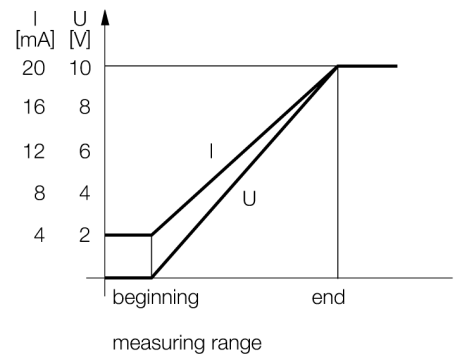
- Compact design
- Cable, 2 m
- Temperature compensation
- Very small blind zone
- Measuring range adjustable via teach-in

**Wiring diagram**



**Functional principle**

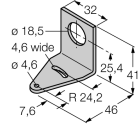
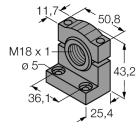
Ultrasonic sensors detect a multitude of objects contactless and wear-free with ultrasonic waves. Regardless of whether the object is transparent or opaque, metallic or non-metallic, liquid, solid or powdery. Even environmental conditions such as spray, dust or rain hardly affect their function.



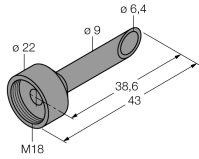
<b>Type code</b>	S18UUA
Ident no.	3002699
<b>Design</b>	cylindrical/threaded, S18U
Dimensions	Ø18 x 80.8 mm
Housing material	plastic, PBT
Connection	cable, 2
Protection class	IP67
Ambient temperature	-20...+60 °C
MTTF	53 years
MTTF note	acc. to SN 29500 (Ed. 99) 40 °C
<b>Power-on indication</b>	LED
Switching state	LED
<b>Operating voltage</b>	10...30VDC
No-load current I <sub>0</sub>	≤ 65 mA
Response time	3 ms
Voltage output	0...10V
Short-circuit protection	yes
Reverse polarity protection	complete
Wire breakage protection	yes
<b>Operating mode</b>	diffuse mode ultrasonic sensor
Range	3...30 cm
Ultrasound frequency	300 kHz
Repeatability	≥ ± 0.25 mm
Edge lengths of the nominal actuator	50 mm

**Ultrasonic sensor  
diffuse mode sensor  
S18UUA**

**Accessories**

Type code	Ident no.	Description	Dimension drawing
SMB18A	3033200	Mounting bracket, stainless steel, for sensors with 18 mm thread	
SMB18FM	3079421	mounting bracket, black, M22 x1.5 mm, male thread, female thread M18 x 1, for sensors with 18 mm thread	
SMB18SF	3052519	Mounting bracket, PTB black steel, for sensors with 18 mm thread	

**Function accessories**

Type code	Ident no.	Description	Dimension drawing
UWG18-6.4	3076952	Ultrasonic focussing-adapter for QS18U and S18U, internal diameter 6.4 mm	
UWG18-5.0	3077342	Ultrasonic focussing-adapter for QS18U and S18U, internal diameter 5.0 mm	