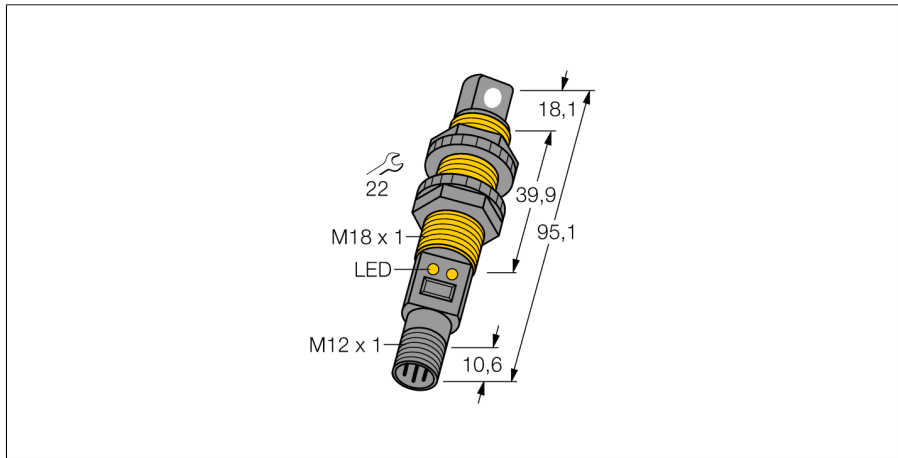
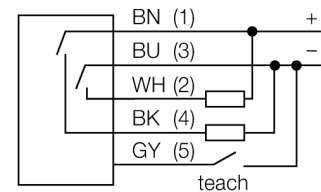


**Ultrasonic sensor  
diffuse mode sensor  
S18UBARQ**



- Compact design
- Connection via male M12 x 1
- Temperature compensation
- Very small blind zone
- Switching range adjustable via teach-in
- Adjustable to retroreflective mode

**Wiring diagram**



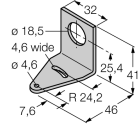
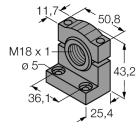
**Functional principle**

Ultrasonic sensors detect a multitude of objects contactless and wear-free with ultrasonic waves. Regardless of whether the object is transparent or opaque, metallic or non-metallic, liquid, solid or powdery. Even environmental conditions such as spray, dust or rain hardly affect their function.

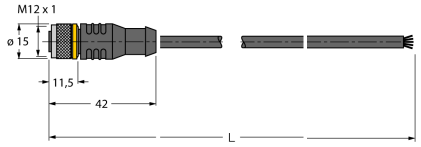
<b>Type code</b>	S18UBARQ
Ident no.	3002715
<b>Design</b>	cylindrical/threaded, S18U
Dimensions	Ø18 x 95,1 mm
Housing material	plastic, PBT
Connection	male, M12 x 1
Protection class	IP67
Ambient temperature	-20...+60 °C
MTTF	53 years
MTTF note	acc. to SN 29500 (Ed. 99) 40 °C
<b>Power-on indication</b>	LED
Switching state	LED
<b>Operating voltage</b>	10...30VDC
No-load current I <sub>0</sub>	≤ 100 mA
Response time	5 ms
Output function	NO contact, PNP/NPN
Switching frequency	100 Hz
Hysteresis	≤ 0.7 mm
Short-circuit protection	yes
Reverse polarity protection	complete
Wire breakage protection	yes
<b>Operating mode</b>	diffuse mode ultrasonic sensor
Range	3...30 cm
Ultrasound frequency	300 kHz
Repeatability	≥ ± 0.25 mm
Edge lengths of the nominal actuator	50 mm

**Ultrasonic sensor  
diffuse mode sensor  
S18UBARQ**

**Accessories**

Type code	Ident no.	Description	Dimension drawing
SMB18A	3033200	Mounting bracket, stainless steel, for sensors with 18 mm thread	
SMB18FM	3079421	mounting bracket, black, M22 x1.5 mm, male thread, female thread M18 x 1, for sensors with 18 mm thread	
SMB18SF	3052519	Mounting bracket, PTB black steel, for sensors with 18 mm thread	

**Wiring accessories**

Type code	Ident no.	Description	Dimension drawing
RKC4.5T-2/TEL	6625016	Connection cable, female M12, straight, 5-pin, cable length: 2 m, sheath material: PVC, black; cULus approval; other cable lengths and qualities available, see <a href="http://www.turck.com">www.turck.com</a>	
WKC4.5T-2/TEL	6625028	Connection cable, female M12, angled, 5-pin, cable length: 2 m, sheath material: PVC, black; cULus approval; other cable lengths and qualities available, see <a href="http://www.turck.com">www.turck.com</a>	