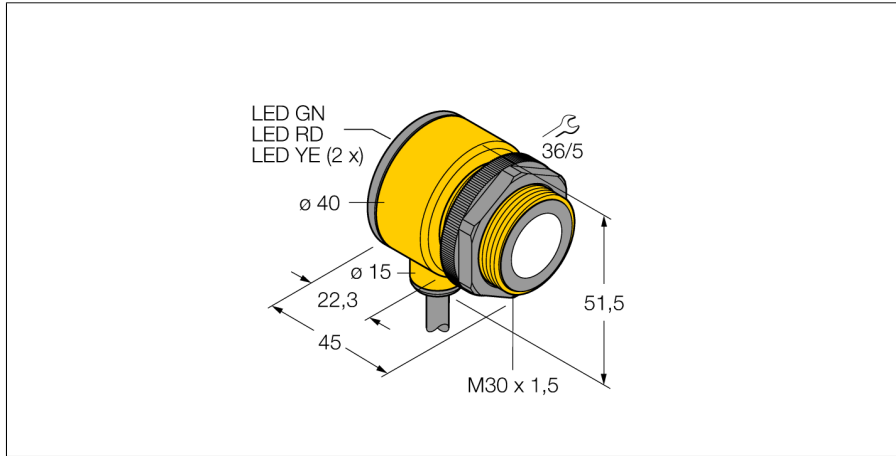
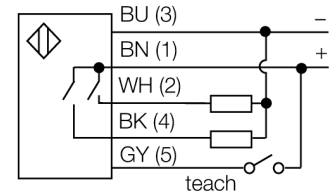


**Ultrasonic sensor
diffuse mode sensor
T30UDPA**



- Compact design
- Cable, 2 m
- Operating voltage 12...24 VDC
- Two PNP transistor outputs
- Two independent switching ranges adjustable via button or control line

Wiring diagram



Functional principle

Ultrasonic sensors detect a multitude of objects contactless and wear-free with ultrasonic waves. Regardless of whether the object is transparent or opaque, metallic or non-metallic, liquid, solid or powdery. Even environmental conditions such as spray, dust or rain hardly affect their function.

Type code	T30UDPA
Ident no.	3055544
Design	cylindrical/threaded, T30
Dimensions	Ø40 x 45 mm
Housing material	plastic, Polyester
Connection	cable, 2
Protection class	IP67
Ambient temperature	-20...+70 °C
MTTF	246 years
MTTF note	acc. to SN 29500 (Ed. 99) 40 °C
Power-on indication	LED
Switching state	LED yellow
Operating voltage	12...24VDC
DC rated operational current	≤ 100 mA
No-load current I ₀	≤ 50 mA
Output function	2x NO, PNP
Switching frequency	20 Hz
Hysteresis	≤ 2.5 mm
Voltage drop at I ₀	≤ 1.5 V
Short-circuit protection	yes/ cyclic
Reverse polarity protection	complete
Wire breakage protection	yes
Operating mode	diffuse mode ultrasonic sensor
Range	15...100 cm
Ultrasound frequency	230 kHz
Repeatability	≥ ± 0.375 mm

**Ultrasonic sensor
diffuse mode sensor
T30UDPA**

Accessories

Type code	Ident no.	Description	Dimension drawing
SMB30A	3032723	Mounting bracket, stainless steel, for sensors with 30 mm thread	
SMB30FAM10	3011185	Mounting bracket, stainless steel, for M10 x 1.5 thread, thread length 30 mm	
SMB30SC	3052521	Mounting bracket, PBT black; for 30 mm thread; with 4 screws M5 x 0.8	