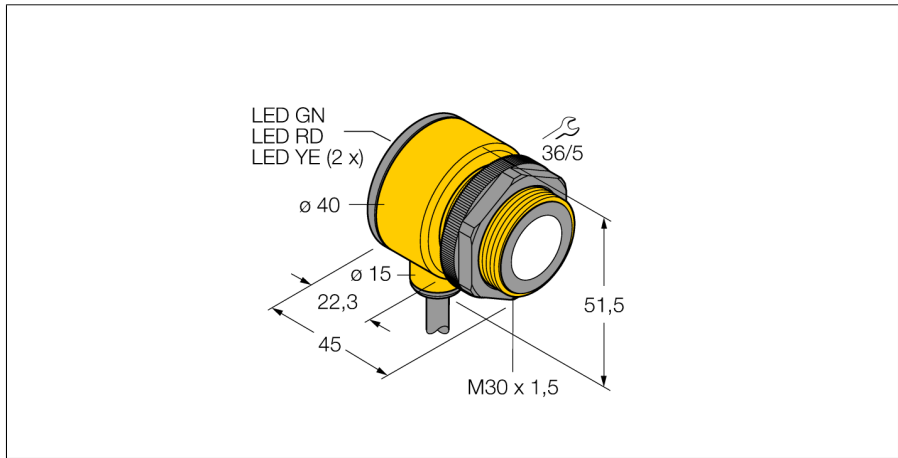
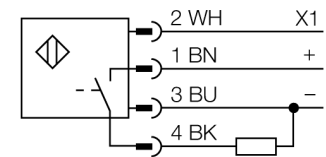


**Ultrasonic sensor  
diffuse mode sensor  
T30UXDB**



- Compact design
- Cable, 4-pin, 2 m
- Switching output, PNP/NPN adjustable
- NO/NC adjustable
- Integrated temperature compensation
- Switching range adjustable via button or control line

**Wiring diagram**



**Functional principle**

Ultrasonic sensors detect a multitude of objects contactless and wear-free with ultrasonic waves. Regardless of whether the object is transparent or opaque, metallic or non-metallic, liquid, solid or powdery. Even environmental conditions such as spray, dust or rain hardly affect their function.

|                                      |                                |
|--------------------------------------|--------------------------------|
| <b>Type code</b>                     | T30UXDB                        |
| Ident no.                            | 3079998                        |
| <b>Design</b>                        | cylindrical/threaded, T30U     |
| Dimensions                           | Ø40 x 45 mm                    |
| Housing material                     | plastic, Polyester             |
| Connection                           | cable, 2                       |
| Protection class                     | IP67                           |
| Ambient temperature                  | -40...+70 °C                   |
| <b>Power-on indication</b>           | LED                            |
| <b>Operating voltage</b>             | 10...30VDC                     |
| Response time                        | 92 ms                          |
| Output function                      | NO contact, PNP                |
| Switching frequency                  | 5 Hz                           |
| Hysteresis                           | ≤ 3 mm                         |
| Short-circuit protection             | yes/ cyclic                    |
| Reverse polarity protection          | complete                       |
| Wire breakage protection             | yes                            |
| <b>Operating mode</b>                | diffuse mode ultrasonic sensor |
| Range                                | 20...200 cm                    |
| Ultrasound frequency                 | 174 kHz                        |
| Repeatability                        | ≥ ± 1 mm                       |
| Edge lengths of the nominal actuator | 100 mm                         |

