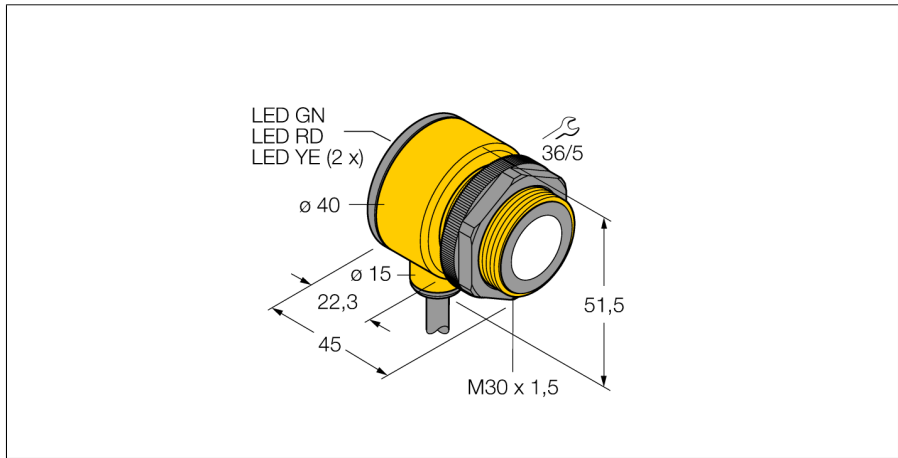
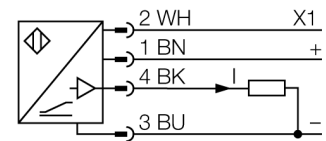


**Ultrasonic sensor
diffuse mode sensor
T30UXIA**



- Compact design
- Cable, 4-pin, 2 m
- Analog output 4...20 mA
- Response time adjustable
- Integrated temperature compensation
- Measuring range adjustable via teach-in

Wiring diagram



Type code	T30UXIA
Ident no.	3080479
Design	cylindrical/threaded, T30U
Dimensions	Ø40 x 45 mm
Housing material	plastic, Polyester
Connection	cable, 2
Protection class	IP67
Ambient temperature	-40...+70 °C
Power-on indication	LED
Operating voltage	10...30VDC
Load resistance	≤ 1000 Ω
Response time	45 ms
Current output	4...20mA
Hysteresis	≤ 2 mm
Short-circuit protection	yes/ cyclic
Reverse polarity protection	complete
Wire breakage protection	yes
Operating mode	diffuse mode ultrasonic sensor
Range	10...100 cm
Ultrasound frequency	224 kHz
Repeatability	≥ ± 0.5 mm
Edge lengths of the nominal actuator	100 mm

Functional principle

Ultrasonic sensors detect a multitude of objects contactless and wear-free with ultrasonic waves. Regardless of whether the object is transparent or opaque, metallic or non-metallic, liquid, solid or powdery. Even environmental conditions such as spray, dust or rain hardly affect their function.

