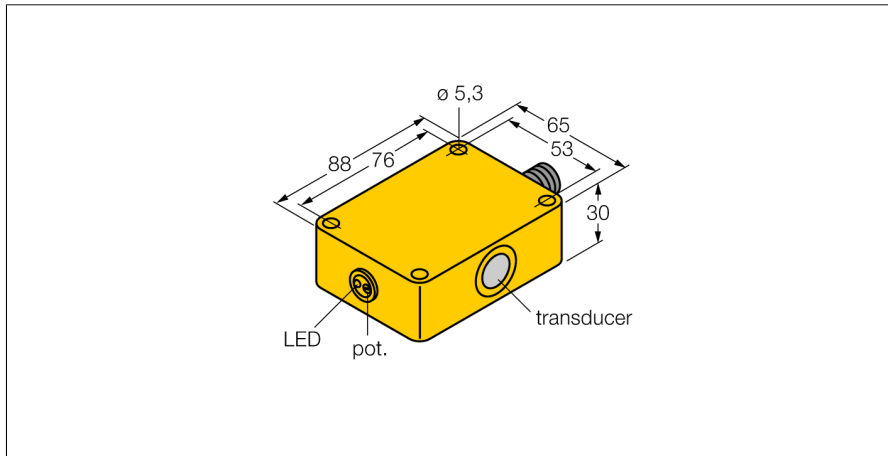


ultrasonic sensor
diffuse mode sensor
RU100-Q30-AP8X-H1141

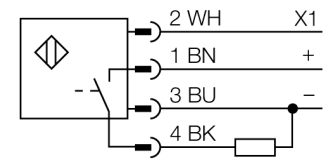
TURCK

Industrial
Automation



- Operating voltage 18...35 VDC
- Upper switching value adjustable via potentiometer
- Plastic housing
- synchronizable
- opening angle of sonic cone 6°

Wiring diagram



Functional principle

Ultrasonic sensors use ultrasonic waves for non-contact and wear-free detection of many objects. Regardless of whether the object is transparent or opaque, metallic or non-metallic, or of liquid, solid or powdery consistency. Even environmental conditions such as spray, dust or rain hardly affect their function.

| | |
|--------------------------------------|---------------------------|
| Type code | RU100-Q30-AP8X-H1141 |
| Ident no. | 1820200 |
| Design | rectangular, Q30 |
| Housing material | plastic, Crastin, SK645FR |
| Sonic converter material | plastic, Epoxy-resin |
| Connection | male, M12 x 1, 4-wire |
| Protection class | IP65 |
| Ambient temperature | 0...+55 °C |
| Switching state | LED yellow |
| Operating voltage | 18...35VDC |
| DC rated operational current | ≤ 100 mA |
| No-load current I ₀ | ≤ 35 mA |
| Load resistance | ≤ 1000 Ω |
| Output function | NO contact, PNP |
| Switching frequency | 5 Hz |
| Hysteresis | ≤ 10 mm |
| Voltage drop at I ₀ | ≤ 2 V |
| Short-circuit protection | yes/ cyclic |
| Reverse polarity protection | complete |
| Wire breakage protection | yes |
| Range | 20...100 cm |
| Ultrasound frequency | 230 kHz |
| Repeatability | ≥ ± 1.5 mm |
| Edge lengths of the nominal actuator | 20 mm |
| Approach speed | ≤ 8 m/s |
| Pass speed | ≤ 1.5 m/s |

ultrasonic sensor
diffuse mode sensor
RU100-Q30-AP8X-H1141

Wiring accessories

| Type code | Ident no. | Description | Dimension drawing |
|---------------|-----------|--|-------------------|
| RKC4.4T-2/TEL | 6625013 | Connection cable, female M12, straight, 4-pin, cable length: 2 m, sheath material: PVC, black; cULus approval; other cable lengths and qualities available, see www.turck.com | |
| WKC4.4T-2/TEL | 6625025 | Connection cable, female M12, angled, 4-pin, cable length: 2 m, sheath material: PVC, black; cULus approval; other cable lengths and qualities available, see www.turck.com | |