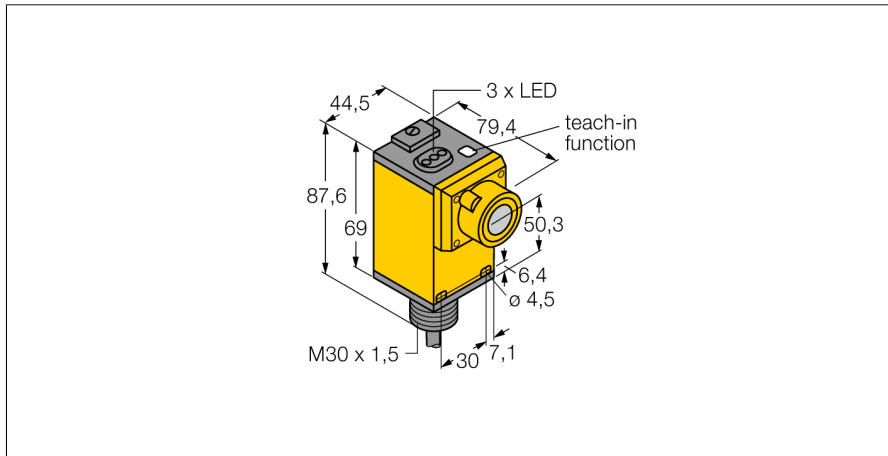
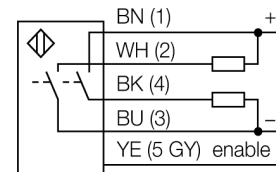


**ultrasonic sensor  
diffuse mode sensor  
Q45UBB63BC**



- Start and End of switching range adjustable via teach button
- NO/NC output function
- Response time, adjustable
- Pump function
- PNP transistor output (NO)
- Aperture angle of sonic cone 12 °

**Wiring diagram**



<b>Type code</b>	Q45UBB63BC
Ident no.	3046360
<b>Design</b>	rectangular, Q45
Housing material	plastic, PBT
Connection	cable, 2
Protection class	IP67
Ambient temperature	-25...+70 °C
MTTF	50 years
MTTF note	acc. to SN 29500 (Ed. 99) 40 °C
<b>Operating voltage</b>	12...24VDC
Output function	NO contact, PNP/NPN
Switching frequency	50 Hz
Hysteresis	≤ 1 mm
Short-circuit protection	yes/ cyclic
Reverse polarity protection	complete
<b>Operating mode</b>	diffuse mode ultrasonic sensor
Range	25...300 cm
Ultrasound frequency	120 kHz
Repeatability	≥ ± 0.5 mm

**Functional principle**

Ultrasonic sensors detect a multitude of objects contactless and wear-free with ultrasonic waves. Regardless of whether the object is transparent or opaque, metallic or non-metallic, liquid, solid or powdery. Even environmental conditions such as spray, dust or rain hardly affect their function.

