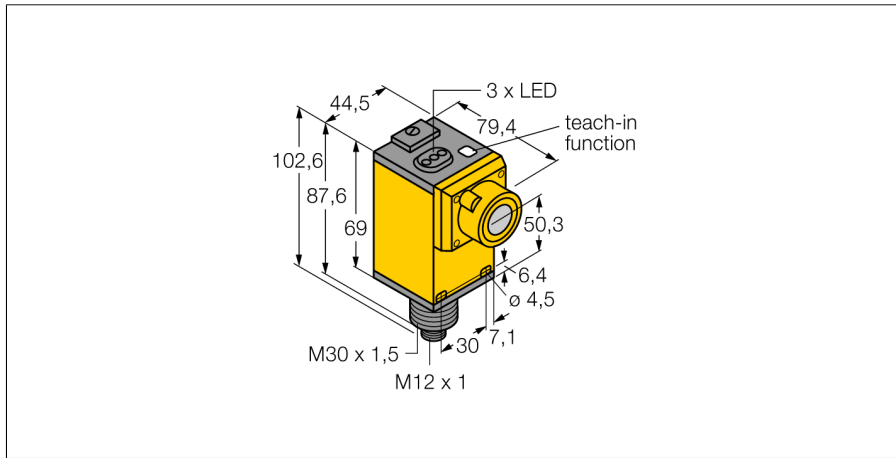
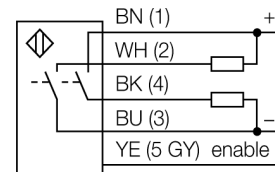


**ultrasonic sensor  
diffuse mode sensor  
Q45UBB63BCQ6**



- Start and End of switching range adjustable via teach button
- NO/NC output function
- Response time, adjustable
- Pump function
- PNP transistor output (NO)
- Aperture angle of sonic cone 12 °

**Wiring diagram**



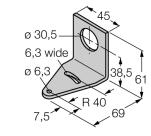
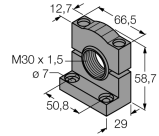
<b>Type code</b>	Q45UBB63BCQ6
Ident no.	3046363
<b>Design</b>	rectangular, Q45
Housing material	plastic, PBT
Connection	male, M12 x 1
Protection class	IP67
Ambient temperature	-25...+70 °C
MTTF	50 years
MTTF note	acc. to SN 29500 (Ed. 99) 40 °C
<b>Operating voltage</b>	12...24VDC
Output function	NO contact, PNP/NPN
Switching frequency	50 Hz
Hysteresis	≤ 1 mm
Short-circuit protection	yes/ cyclic
Reverse polarity protection	complete
<b>Operating mode</b>	diffuse mode ultrasonic sensor
Range	25...300 cm
Ultrasound frequency	120 kHz
Repeatability	≥ ± 0.5 mm

**Functional principle**

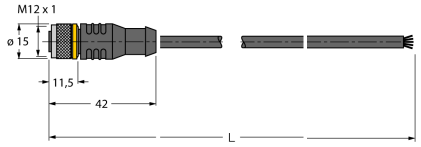
Ultrasonic sensors detect a multitude of objects contactless and wear-free with ultrasonic waves. Regardless of whether the object is transparent or opaque, metallic or non-metallic, liquid, solid or powdery. Even environmental conditions such as spray, dust or rain hardly affect their function.

**ultrasonic sensor  
diffuse mode sensor  
Q45UBB63BCQ6**

**Accessories**

Type code	Ident no.	Description	Dimension drawing
SMB30A	3032723	Mounting bracket, stainless steel, for sensors with 30 mm thread	
SMB30MM	3027162	Mounting bracket, rectangular, stainless steel, for sensors with 30 mm thread, wide holes for accurate alignment	
SMB30SC	3052521	Mounting bracket, PBT black; for 30 mm thread; with 4 screws M5 x 0.8	

**Wiring accessories**

Type code	Ident no.	Description	Dimension drawing
RKC4.5T-2/TEL	6625016	Connection cable, female M12, straight, 5-pin, cable length: 2 m, sheath material: PVC, black; cULus approval; other cable lengths and qualities available, see <a href="http://www.turck.com">www.turck.com</a>	
WKC4.5T-2/TEL	6625028	Connection cable, female M12, angled, 5-pin, cable length: 2 m, sheath material: PVC, black; cULus approval; other cable lengths and qualities available, see <a href="http://www.turck.com">www.turck.com</a>	