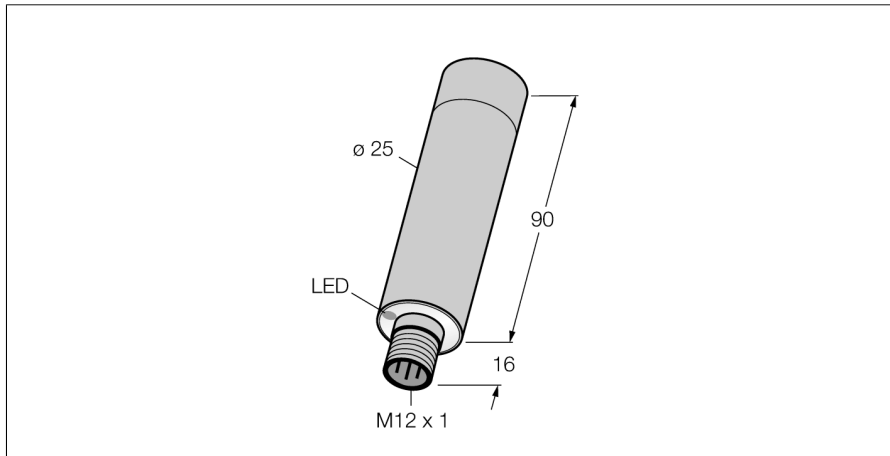
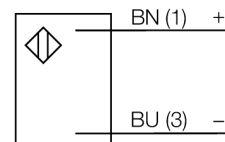


**Ultrasonic sensor
emitter
M25UEQ8**



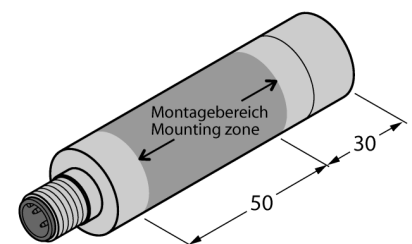
- Sonic transducer face and sleeve made of V4A 1.4401 (AISI 316)
- Max. range 50 cm
- Protection class IP68 / IP69K, fully encapsulated with housing cover made of polysulphone
- Suitable for 200,000 cleaning cycles with water at 85°C for a duration of 15 min and subsequent fast cooling
- Operating voltage 10...30 VDC
- Male connector, M12x1, 4-pole

Wiring diagram



Functional principle

Ultrasonic sensors detect a multitude of objects contactless and wear-free with ultrasonic waves. Regardless of whether the object is transparent or opaque, metallic or non-metallic, liquid, solid or powdery. Even environmental conditions such as spray, dust or rain hardly affect their function.



Type code	M25UEQ8
Ident no.	3079745
Design	smooth barrel
Dimensions	Ø25 x 106 mm
Housing material	metal, V4A 1.4401 (AISI 316)
Sonic converter material	metal, V4A 1.4401 (AISI 316)
Connection	male, M12 x 1
Protection class	IP67 / IP69K
Ambient temperature	-20...+70 °C
Power-on indication	LED green
Operating voltage	10...30VDC
No-load current I ₀	≤ 87 mA
Short-circuit protection	yes
Reverse polarity protection	complete
Wire breakage protection	yes
Operating mode	opposed mode ultrasonic sensor
Range	0...50 cm
Ultrasound frequency	140 kHz

**Ultrasonic sensor
emitter
M25UEQ8**

TURCK

Industrial
Automation

Accessories

Type code	Ident no.	Description	Dimension drawing
SMBM25A	3081589	Mounting bracket, ceiling mount for M25U sensors, stainless steel, FDA conform	
SMBM25B	3010370	Mounting bracket, ceiling mount for M25U sensors, stainless steel, FDA conform	

Wiring accessories

Type code	Ident no.	Description	Dimension drawing
MQDCWD-530	3010185		