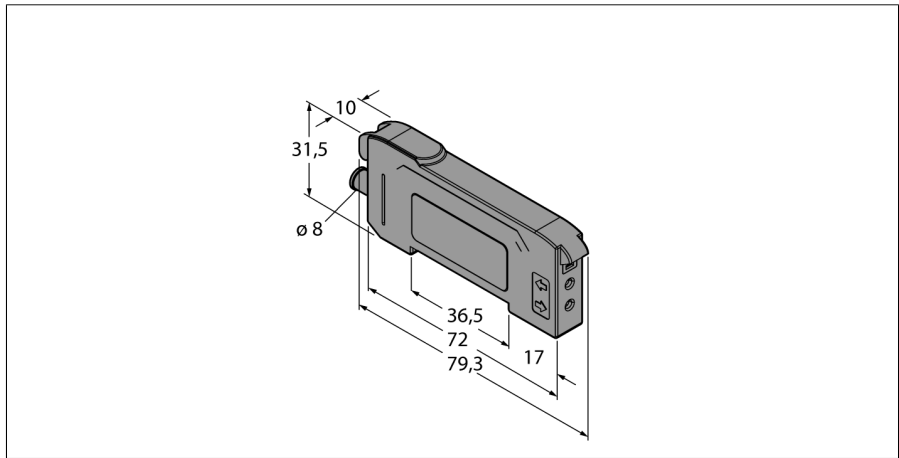
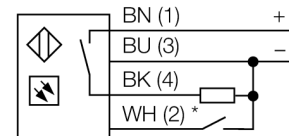


**Photoelectric sensor
base unit for plastic fibers
DF-G1-PS-Q7**



- 8 mm connector, 4-pin
- Visible red light
- Programmed via teach line or rocker button
- Operating voltage: 10...30 VDC
- PNP output
- Light/dark operation

Wiring diagram



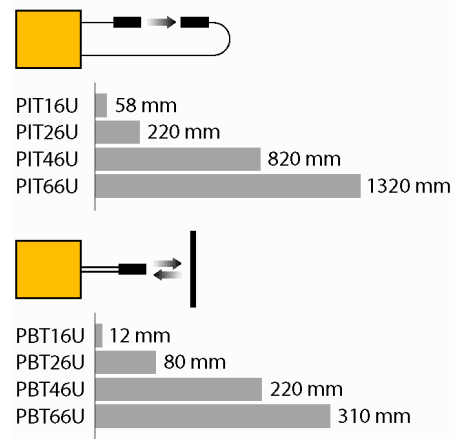
* external programming

Type code	DF-G1-PS-Q7
Ident no.	3019359
Operating mode	base unit for plastic fibers
Light type	red
Wavelength	660 nm
Ambient temperature	-10...+55 °C
Operating voltage	10...30VDC
Residual ripple	< 10 % U _s
DC rated operational current	≤ 40 mA
Short-circuit protection	yes
Reverse polarity protection	yes
Output function	NO contact, PNP
Switching frequency	10 kHz
Readiness delay	≤ 500 ms
Design	rectangular, DF-G1
Dimensions	79.3 x 10 x 33 mm
Housing material	plastic, ABS, black
Connection	male, M8
Cable cross section	4 mm ²
Protection class	IP50
Switching state	LED yellow
Excess gain indication	7-digit LED

Functional principle

Glass or fiber optics are the optimum choice for high temperature or space restricted applications. Fiber optics transfer the light from the sensor to a remote object. Individual fiber optics are used for opposed mode sensing, whereas bifurcated fiber optics are suited for diffuse mode operation.

Excess gain curve



**Photoelectric sensor
base unit for plastic fibers
DF-G1-PS-Q7**

Accessories

Type code	Ident no.	Description	Dimension drawing
DIN-35-70	3026604	DIN rail, width 35 mm, length 70 mm	
DIN-35-105	3030470	Hutschiene, 35 mm Profil, Länge 105 mm	
DIN-35-140	3026605	DIN rail, width 35 mm, length 140 mm	

Wiring accessories

Type code	Ident no.	Description	Dimension drawing
PKG4S-2/TEL	6627370	Connection cable, female Ø 8 mm, straight, 4-pin, snap-on type, cable length: 2 m; sheath material: PVC, sheath color: black, cULus approved, RoHS conform, protection class IP67	
PKW4S-2/TEL	6627373	Connection cable, female Ø 8 mm, straight, 4-pin, snap-on type, cable length: 2 m; sheath material: PVC, sheath color: black, cULus approved, RoHS conform, protection class IP67	

Function accessories

Type code	Ident no.	Description	Dimension drawing
PIT46U	3026034	plastic fibre-optic sensor, sensing mode: light screen, polyethylene cable; for ambient temperatures of -30 °C...+70 °C	
PBT46U	3025967	plastic fibre-optic sensor, sensing mode: diffuse mode sensor, polyethylene cable; for ambient temperatures of -30 °C...+70 °C	