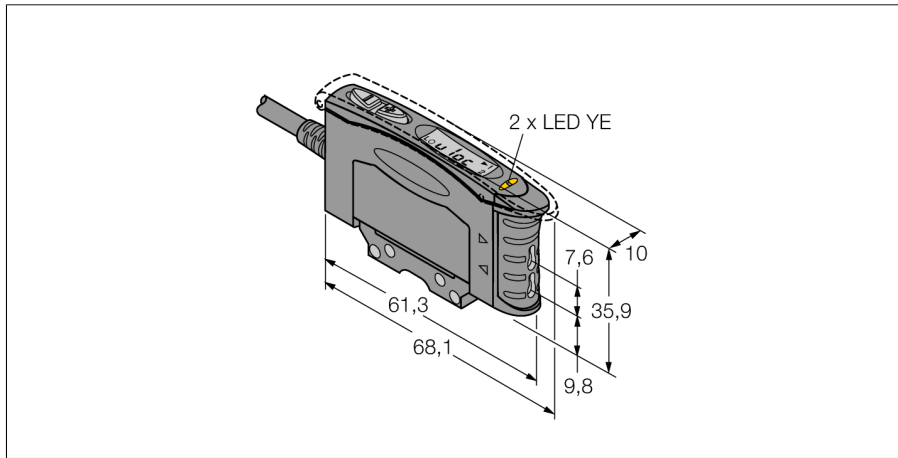
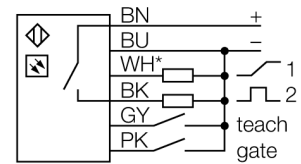


**Photoelectric sensor
base unit for plastic fibers
D10IPFP**



- Cable 2 m
- Teaching function
- Response time, adjustable
- Red visible light
- Operating voltage 12...24 VDC
- Optical sensitivity, adjustable
- Switch-off delay (0...100 ms)

Wiring diagram



* 0...10 VDC or 4...20 mA

Functional principle

Glass or fibre optic sensors are the optimum choice for high temperature or space restricted applications. Fibre optics transfer the light from the sensor to a remote object. Individual fibre optics are used for opposed mode sensing, whereas bifurcated fibre optics are suited for diffuse mode operation.

Type code	D10IPFP
Ident no.	3062388
Operating mode	base unit for plastic fibers
Light type	red
Wavelength	680 nm
Ambient temperature	-20...+55 °C
Operating voltage	12...24VDC
Residual ripple	< 10 % U _s
No-load current I ₀	≤ 65 mA
Short-circuit protection	yes
Reverse polarity protection	yes
Output function	NO contact, PNP
Output 2	analogue, current
Current output	4...20mA
Switching frequency	10 kHz
Readiness delay	≤ 150 ms
Design	rectangular, D10
Dimensions	68.1 x 10.5 x 35.9 mm
Housing material	plastic, ABS
Connection	cable, PVC
Cable length	2 m
Cable cross section	6 x 0.34 mm ²
Protection class	IP50
Power-on indication	LED green
Switching state	LED yellow

**Photoelectric sensor
base unit for plastic fibers
D10IPFP**

Accessories

Type code	Ident no.	Description	Dimension drawing
SMBR55F01	3067104	Mounting panel, PBT, black, for R55F series, wall mounting	
SMBR55FRA	3058809	Mounting bracket, 19-ga. stainless steel, for D10, DF-G1 and R55F series, lateral wall mounting	
DIN-35-70	3026604	DIN rail, width 35 mm, length 70 mm	
DIN-35-105	3030470	Hutschiene, 35 mm Profil, Länge 105 mm	
DIN-35-140	3026605	DIN rail, width 35 mm, length 140 mm	

Function accessories

Type code	Ident no.	Description	Dimension drawing
PIT46U	3026034	plastic fibre-optic sensor, sensing mode: light screen, polyethylene cable; for ambient temperatures of -30 °C...+70 °C	
PBT46U	3025967	plastic fibre-optic sensor, sensing mode: diffuse mode sensor, polyethylene cable; for ambient temperatures of -30 °C...+70 °C	