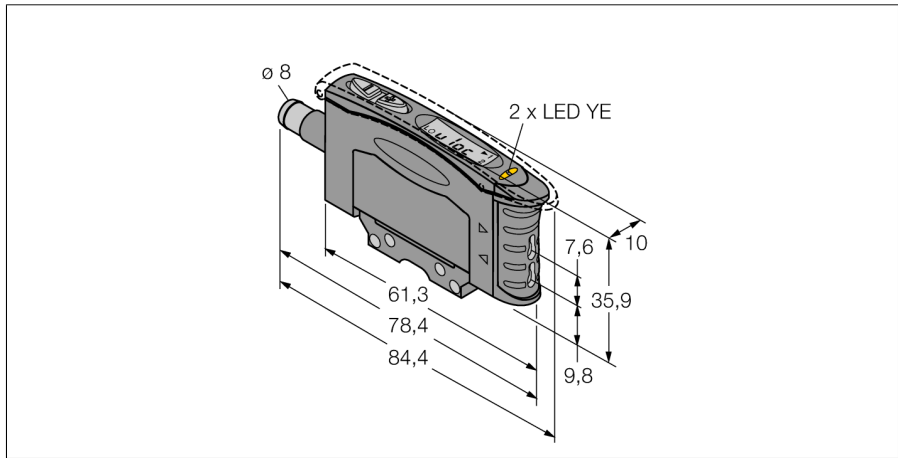
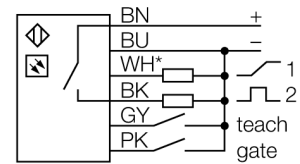


**Photoelectric sensor  
base unit for plastic fibers  
D10UPFPQ**



- Male 8 mm, 6-pin, snap-lock
- Teaching function
- Response time, adjustable
- Red visible light
- Operating voltage 15...24 VDC
- Optical sensitivity, adjustable
- Switch-off delay (0...100 ms)

**Wiring diagram**



**Functional principle**

Glass or fibre optic sensors are the optimum choice for high temperature or space restricted applications. Fibre optics transfer the light from the sensor to a remote object. Individual fibre optics are used for opposed mode sensing, whereas bifurcated fibre optics are suited for diffuse mode operation.

<b>Type code</b>	D10UPFPQ
Ident no.	3063996
<b>Operating mode</b>	base unit for plastic fibers
Light type	red
Wavelength	680 nm
Ambient temperature	-20...+55 °C
<b>Operating voltage</b>	15...24VDC
Residual ripple	< 10 % U <sub>s</sub>
No-load current I <sub>0</sub>	≤ 65 mA
Short-circuit protection	yes
Reverse polarity protection	yes
Output function	NO contact, PNP
Output 2	analogue, voltage
Voltage output	0...10V
Switching frequency	10 kHz
Readiness delay	≤ 150 ms
<b>Design</b>	rectangular, D10
Dimensions	84.4 x 10.5 x 35.9 mm
Housing material	plastic, ABS
Connection	male, Ø 8 mm
Protection class	IP50
<b>Power-on indication</b>	LED green
Switching state	LED yellow

**Photoelectric sensor  
base unit for plastic fibers  
D10UPFPQ**

**Accessories**

Type code	Ident no.	Description	Dimension drawing
SMBR55F01	3067104	Mounting panel, PBT, black, for R55F series, wall mounting	
SMBR55FRA	3058809	Mounting bracket, 19-ga. stainless steel, for D10, DF-G1 and R55F series, lateral wall mounting	
DIN-35-70	3026604	DIN rail, width 35 mm, length 70 mm	
DIN-35-105	3030470	Hutschiene, 35 mm Profil, Länge 105 mm	
DIN-35-140	3026605	DIN rail, width 35 mm, length 140 mm	

**Wiring accessories**

Type code	Ident no.	Description	Dimension drawing
PKG6Z-2	3062985	Connection cable, PVC, length 2 m, with female end M8 x 1, angled, 6-pin, on open end	
PKG6Z-9	3062986	Anschlusskabel, PVC, Länge 9 m, mit Kupplung, M8 x 1, 6-polig, auf offenes Ende	
PKW6Z-2	3062998	Connection cable, PVC, length 2 m, with female end M8 x 1, angled, 6-pin, on open end	
PKW6Z-9	3062999	Connection cable, PVC, length 9 m, with female end M8 x 1, angled, 6-pin, on open end	

**Function accessories**

Type code	Ident no.	Description	Dimension drawing
PIT46U	3026034	plastic fibre-optic sensor, sensing mode: light screen, polyethylene cable; for ambient temperatures of -30 °C...+70 °C	
PBT46U	3025967	plastic fibre-optic sensor, sensing mode: diffuse mode sensor, polyethylene cable; for ambient temperatures of -30 °C...+70 °C	