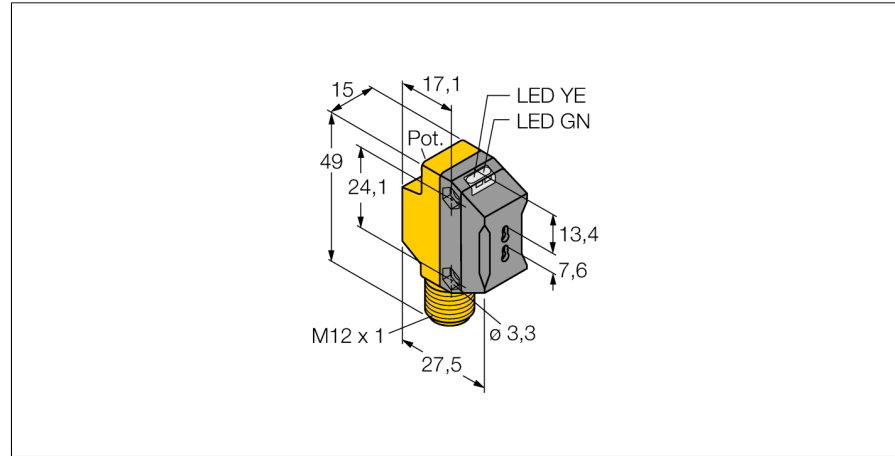
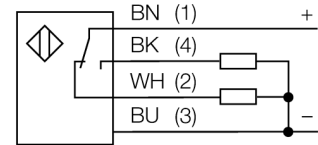


**Photoelectric sensor
base unit for plastic fibers
QS18VP6FPQ8**

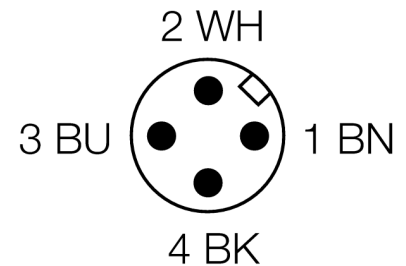


- Male M12 x 1, 4-pin
- Protection class IP67
- LED all-round visible
- Sensitivity adjusted via potentiometer

Wiring diagram



Type code	QS18VP6FPQ8
Ident no.	3066468
Operating mode	base unit for plastic fibers
Light type	red
Wavelength	660 nm
Ambient temperature	-20...+70 °C
Operating voltage	10...30VDC
Residual ripple	< 10 % U _s
DC rated operational current	≤ 100 mA
Short-circuit protection	yes
Reverse polarity protection	yes
Output function	NO/NC , PNP
Switching frequency	≤ 800 Hz
Readiness delay	≤ 100 ms
Design	rectangular, QS18
Dimensions	27.5 x 15 x 49 mm
Housing material	plastic, ABS
Connection	male, M12 x 1
Protection class	IP67
MTTF	965 years acc. to SN 29500 (Ed. 99) 40 °C
Power-on indication	LED green
Switching state	LED yellow
Error indication	LED green flashing
Excess gain indication	LED yellow flashing

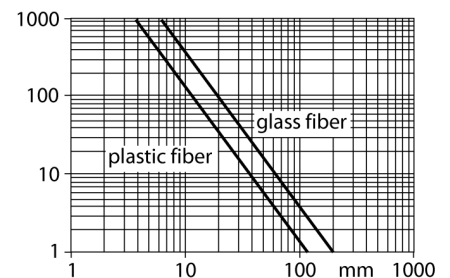


Functional principle

Glass or plastic fibers are the optimum choice for high-temperature applications and narrow spaces. Fiber optics transfer the light from the sensor to a remote object. Individual fibers are used for opposed mode sensing, whereas bifurcated fibers are suited for retroreflective or diffuse mode sensing.

Excess gain curve

Excess gain in relation to the distance for opposed mode sensor (glass fibers IT23S and plastic fibers PIT46U)



**Photoelectric sensor
base unit for plastic fibers
QS18VP6FPQ8**

Accessories

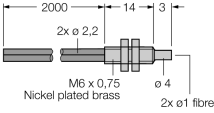
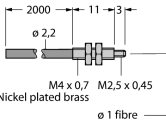
Type code	Ident no.	Description	Dimension drawing
SMB18A	3033200	Mounting bracket, stainless steel, for sensors with 18 mm thread	
SMBQS18A	3069721	Mounting bracket, stainless steel, for 18 mm thread	
SMBQS18AF	3067467	Mounting bracket, stainless steel, for 18 mm thread	

Wiring accessories

Type code	Ident no.	Description	Dimension drawing
WKC4.5T-2/TEL	6625028	Connection cable, female M12, angled, 5-pin, cable length: 2 m, sheath material: PVC, black; cULus approval; other cable lengths and qualities available, see www.turck.com	
RKC4.5T-2/TEL	6625016	Connection cable, female M12, straight, 5-pin, cable length: 2 m, sheath material: PVC, black; cULus approval; other cable lengths and qualities available, see www.turck.com	

**Photoelectric sensor
base unit for plastic fibers
QS18VP6FPQ8**

Function accessories

Type code	Ident no.	Description	Dimension drawing
PBT46U	3025967	plastic fibre-optic sensor, sensing mode: diffuse mode sensor, polyethylene cable; for ambient temperatures of -30 °C...+70 °C	 <p>2000 14 3 2x ø 2,2 M6 x 0,75 Nickel plated brass ø 4 2x ø1 fibre</p>
PIT46U	3026034	plastic fibre-optic sensor, sensing mode: light screen, polyethylene cable; for ambient temperatures of -30 °C...+70 °C	 <p>2000 11 3 ø 2,2 M4 x 0,7 M2,5 x 0,45 Nickel plated brass ø 1 fibre</p>