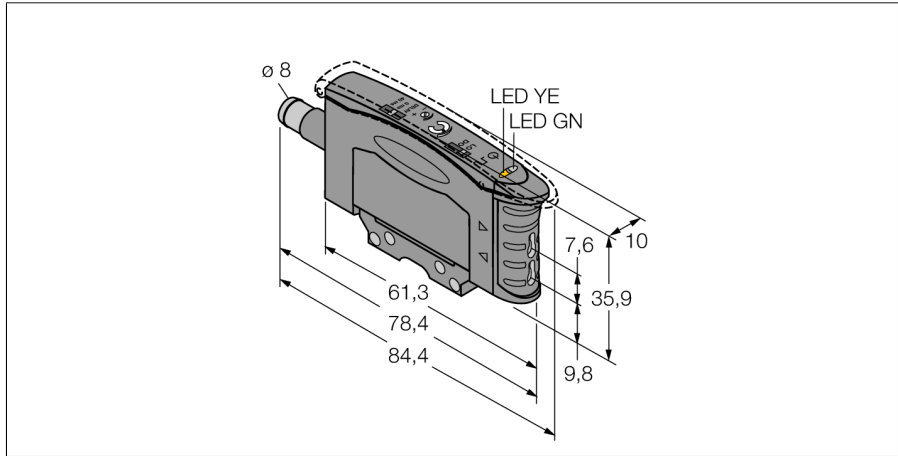
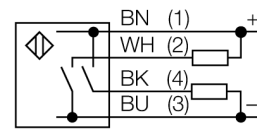


**Photoelectric sensor
base unit for plastic fibers
D10AFPYQ**



- Male 8 mm, 4-pin, snap-lock
- Light/dark operation
- red visible light
- Operating voltage 10...30 VDC
- Switch-off delay 40 ms, selectable
- Max. switching frequency 2.5 kHz
- Sensitivity adjusted via 12-turn potentiometer

Wiring diagram



Functional principle

Glass or fibre optic sensors are the optimum choice for high temperature or space restricted applications. Fibre optics transfer the light from the sensor to a remote object. Individual fibre optics are used for opposed mode sensing, whereas bifurcated fibre optics are suited for diffuse mode operation.

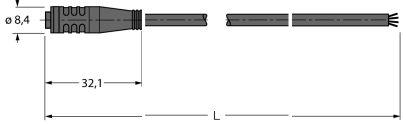
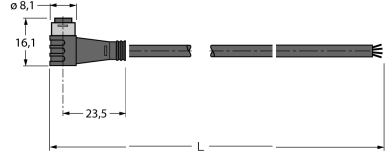
Type code	D10AFPYQ
Ident no.	3073122
Operating mode	base unit for plastic fibers
Light type	red
Wavelength	660 nm
Ambient temperature	-10...+55 °C
Operating voltage	10...30VDC
Residual ripple	< 10 % U _s
DC rated operational current	≤ 100 mA
No-load current I ₀	≤ 25 mA
Short-circuit protection	yes
Reverse polarity protection	yes
Output function	NO contact, PNP/NPN
Switching frequency	2.5 kHz
Readiness delay	≤ 100 ms
Response time	< 0.2 ms
Design	rectangular, D10A
Dimensions	84.4 x 10 x 35.9 mm
Housing material	plastic, ABS, black
Connection	male, Ø 8 mm
Protection class	IP50
Power-on indication	LED green
Switching state	LED yellow
Excess gain indication	LED yellow flashing

**Photoelectric sensor
base unit for plastic fibers
D10AFPYQ**

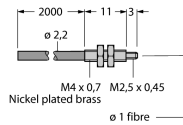
Accessories

Type code	Ident no.	Description	Dimension drawing
SMBR55F01	3067104	Mounting panel, PBT, black, for R55F series, wall mounting	
SMBR55FRA	3058809	Mounting bracket, 19-ga. stainless steel, for D10, DF-G1 and R55F series, lateral wall mounting	
DIN-35-70	3026604	DIN rail, width 35 mm, length 70 mm	
DIN-35-105	3030470	Hutschiene, 35 mm Profil, Länge 105 mm	
DIN-35-140	3026605	DIN rail, width 35 mm, length 140 mm	

Wiring accessories

Type code	Ident no.	Description	Dimension drawing
PKG4S-2/TEL	6627370	Connection cable, female Ø 8 mm, straight, 4-pin, snap-on type, cable length: 2 m; sheath material: PVC, sheath color: black, cULus approved, RoHS conform, protection class IP67	
PKW4S-2/TEL	6627373	Connection cable, female Ø 8 mm, straight, 4-pin, snap-on type, cable length: 2 m; sheath material: PVC, sheath color: black, cULus approved, RoHS conform, protection class IP67	

Function accessories

Type code	Ident no.	Description	Dimension drawing
PIT46U	3026034	plastic fibre-optic sensor, sensing mode: light screen, polyethylene cable; for ambient temperatures of -30 °C...+70 °C	
PBT46U	3025967	plastic fibre-optic sensor, sensing mode: diffuse mode sensor, polyethylene cable; for ambient temperatures of -30 °C...+70 °C	