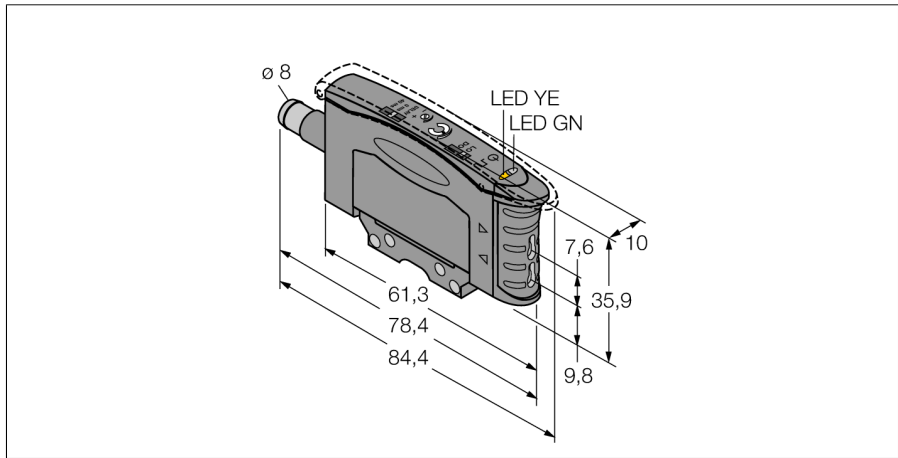
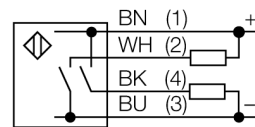


**Photoelectric sensor  
base unit for plastic fibers  
D10AFPGYQ**



- Male 8 mm, 4-pin, snap-lock
- Light/dark operation
- green visible light
- Operating voltage 10...30 VDC
- Switch-off delay 40 ms, selectable
- Max. switching frequency 2.5 kHz
- Sensitivity adjusted via 12-turn potentiometer

**Wiring diagram**



**Functional principle**

Glass or fibre optic sensors are the optimum choice for high temperature or space restricted applications. Fibre optics transfer the light from the sensor to a remote object. Individual fibre optics are used for opposed mode sensing, whereas bifurcated fibre optics are suited for diffuse mode operation.

<b>Type code</b>	D10AFPGYQ
Ident no.	3073125
<b>Operating mode</b>	base unit for plastic fibers
Light type	green
Wavelength	525 nm
Ambient temperature	-10...+55 °C
<b>Operating voltage</b>	10...30VDC
Residual ripple	< 10 % U <sub>s</sub>
DC rated operational current	≤ 100 mA
No-load current I <sub>0</sub>	≤ 25 mA
Short-circuit protection	yes
Reverse polarity protection	yes
Output function	NO contact, PNP/NPN
Switching frequency	2.5 kHz
Readiness delay	≤ 100 ms
Response time	< 0.2 ms
<b>Design</b>	rectangular, D10A
Dimensions	84.4 x 10 x 35.9 mm
Housing material	plastic, ABS, black
Connection	male, Ø 8 mm
Protection class	IP50
<b>Power-on indication</b>	LED green
Switching state	LED yellow
Excess gain indication	LED yellow flashing

**Photoelectric sensor  
base unit for plastic fibers  
D10AFPGYQ**

**Accessories**

Type code	Ident no.	Description	Dimension drawing
SMBR55F01	3067104	Mounting panel, PBT, black, for R55F series, wall mounting	
SMBR55FRA	3058809	Mounting bracket, 19-ga. stainless steel, for D10, DF-G1 and R55F series, lateral wall mounting	
DIN-35-70	3026604	DIN rail, width 35 mm, length 70 mm	
DIN-35-105	3030470	Hutschiene, 35 mm Profil, Länge 105 mm	
DIN-35-140	3026605	DIN rail, width 35 mm, length 140 mm	

**Wiring accessories**

Type code	Ident no.	Description	Dimension drawing
PKG4S-2/TEL	6627370	Connection cable, female Ø 8 mm, straight, 4-pin, snap-on type, cable length: 2 m; sheath material: PVC, sheath color: black, cULus approved, RoHS conform, protection class IP67	
PKW4S-2/TEL	6627373	Connection cable, female Ø 8 mm, straight, 4-pin, snap-on type, cable length: 2 m; sheath material: PVC, sheath color: black, cULus approved, RoHS conform, protection class IP67	

**Function accessories**

Type code	Ident no.	Description	Dimension drawing
PIT46U	3026034	plastic fibre-optic sensor, sensing mode: light screen, polyethylene cable; for ambient temperatures of -30 °C...+70 °C	
PBT46U	3025967	plastic fibre-optic sensor, sensing mode: diffuse mode sensor, polyethylene cable; for ambient temperatures of -30 °C...+70 °C	