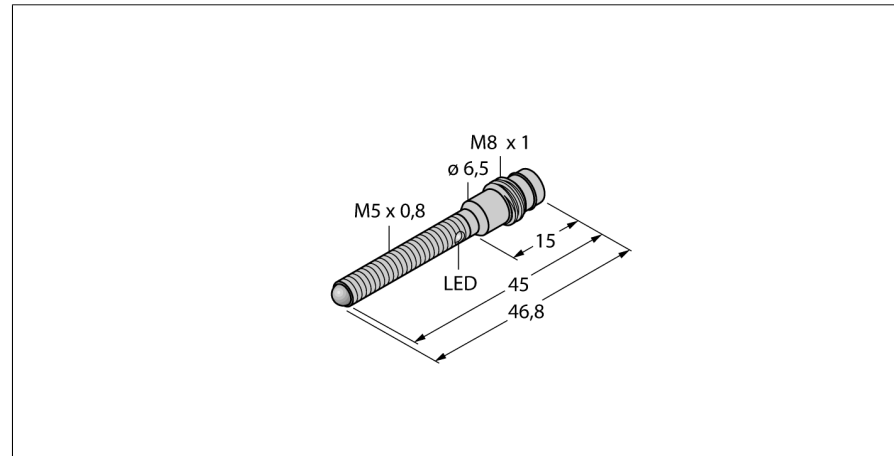
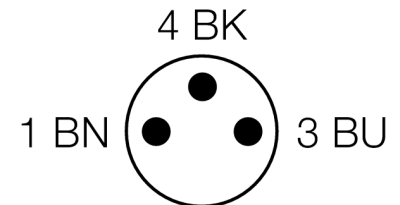
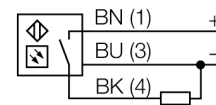


**Photoelectric sensor  
convergent mode sensor  
miniature sensor  
VSM5AP6CV10Q7**



- Stainless steel housing V2A
- Protection class IP67
- Male M8 x 1; 3-pin
- Lens, sapphire crystal glass
- Operating voltage: 10...30 VDC
- PNP switching output, light operation

**Wiring diagram**

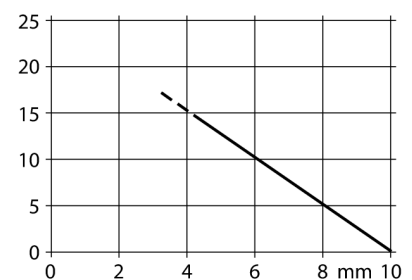


<b>Type code</b>	VSM5AP6CV10Q7
Ident no.	3013375
<b>Operating mode</b>	convergent mode sensor
Light type	IR
Wavelength	880 nm
Focal distance	10 mm
Ambient temperature	0...+55 °C
<b>Operating voltage</b>	10...30VDC
Residual ripple	< 10 % U <sub>s</sub>
DC rated operational current	≤ 100 mA
No-load current I <sub>0</sub>	≤ 15 mA
Short-circuit protection	yes
Reverse polarity protection	yes
Output function	NO, light operation, PNP
Switching frequency	≤ 250 Hz
Readiness delay	≤ 20 ms
<b>Design</b>	threaded barrel, VSM
Dimensions	46.8 mm
Housing diameter	6.5 mm
Housing material	metal, V2A (1.4301)
Lens	glass, Sapphire
Connection	male, M8 x 1
Cable length	2 m
Cable cross section	3 x 0.34 mm <sup>2</sup>
Protection class	IP67
<b>Switching state</b>	LED yellow

**Functional principle**

Convergent mode sensors are equipped with a lens in front of the emitter diode that produces a small and intense focal point at a defined distance from the sensor. Similar to diffuse mode sensors, the light reflected by the target is evaluated. Convergent mode sensors are ideal for the detection of small targets, color marks, edge guiding and positioning control of transparent materials. The targets must always be within the focal depth of the sensors. The focal depth is defined as the area in front of or behind the focal point within which the object can be detected. Based on the intense light concentration in the focal point, convergent mode sensors are capable of detecting targets with a low reflectivity.

**Excess gain curve**



Photoelectric sensor  
 convergent mode sensor  
 miniature sensor  
 VSM5AP6CV10Q7

**Wiring accessories**

Type code	Ident no.	Description	Dimension drawing
PKG3M-2/TEL	6625058	Connection cable, female M8, straight, 3-pin, cable length: 2 m, sheath material: PVC, black; cULus approval; other cable lengths and qualities available, see <a href="http://www.turck.com">www.turck.com</a>	
PKW3M-2/TEL	6625064	Connection cable, female M8, angled, 3-pin, cable length: 2 m, sheath material: PVC, black; cULus approval; other cable lengths and qualities available, see <a href="http://www.turck.com">www.turck.com</a>	