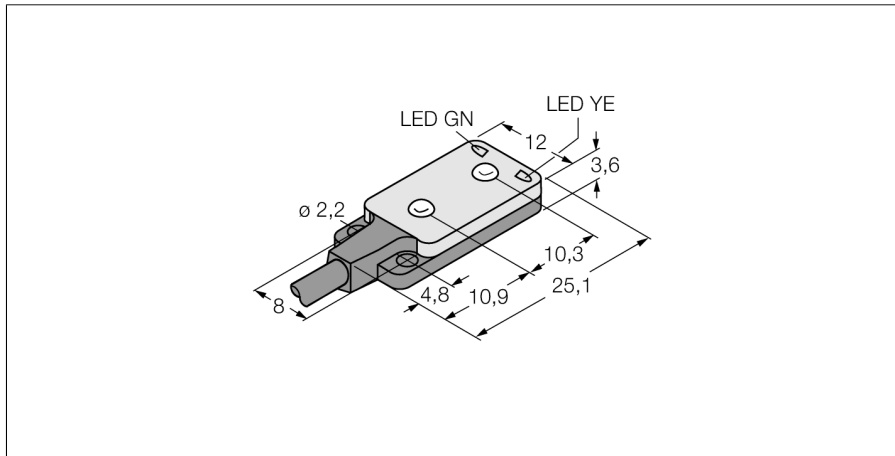
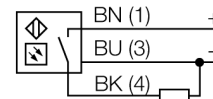


**Photoelectric sensor  
convergent mode sensor  
miniature sensor  
VS2RP5CV30**



- Cable, 2 m, 3-wire
- Operating voltage: 10...30 VDC
- Ultraflat design
- PNP switching output, dark operation

**Wiring diagram**

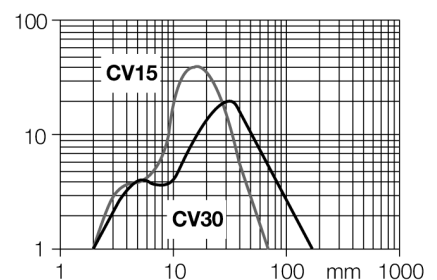


**Functional principle**

Convergent mode sensors are equipped with a lens in front of the emitter diode that produces a small and intense focal point at a defined distance from the sensor. Similar to diffuse mode sensors, the light reflected by the target is evaluated. Convergent mode sensors are ideal for detection of small targets or colour marks and edge guiding or positioning control of transparent materials. The targets must always be within the focal depth of the sensors. The focal depth is defined as the area in front of or behind the focal point within which the object can be detected. Based on the intense light concentration in the focal point, convergent mode sensors are capable of detecting targets with a low reflectivity.

**Excess gain curve**

Excess gain in relation to the distance



<b>Type code</b>	VS2RP5CV30
Ident no.	3061751
<b>Operating mode</b>	convergent mode sensor
Light type	red
Wavelength	660 nm
Focal distance	30 mm
Ambient temperature	-20...+55 °C
<b>Operating voltage</b>	10...30VDC
Residual ripple	< 10 % U <sub>s</sub>
DC rated operational current	≤ 50 mA
No-load current I <sub>0</sub>	≤ 25 mA
Short-circuit protection	yes
Reverse polarity protection	yes
Output function	NO, dark operation, PNP
Switching frequency	≤ 500 Hz
Readiness delay	≤ 150 ms
<b>Design</b>	rectangular, VS2
Dimensions	4.7 x 12 x 25.1 mm
Housing material	plastic, ABS
Lens	plastic, acrylic
Connection	cable, PVC
Cable length	2 m
Cable cross section	3 x 0.34 mm <sup>2</sup>
Protection class	IP67
<b>Power-on indication</b>	LED green
Switching state	LED yellow
Error indication	LED green flashing
Alarm display	LED yellow flashing

Photoelectric sensor  
convergent mode sensor  
miniature sensor  
VS2RP5CV30

**TURCK**

Industrial  
Automation

### Accessories

Type code	Ident no.	Description	Dimension drawing
SMBVS2RA	3058603	mounting bracket, straight	