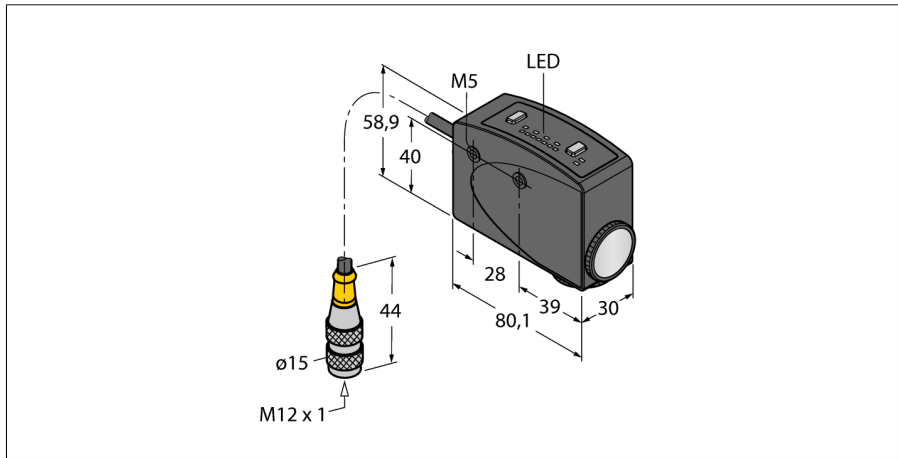


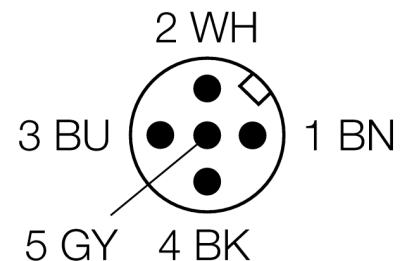
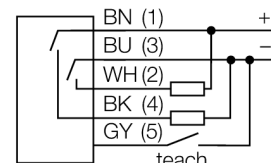
**Photoelectric sensor
convergent mode sensor
color mark sensor
R58ECR2GB2Q**



- Cable with male end, PVC, 5-pin, 150 mm
- Protection class IP67
- Programmed via 2 teach buttons
- 8-segment LED display
- Adjustable on/off delay, 30 ms
- Automatic selection of red, green and blue light
- Orthogonal scan field relative to longitudinal housing axis
- Optics rotatable by 90°
- Operating voltage: 10...30 VDC
- PNP/NPN switching output
- Switching behaviour adjustable (NO/NC)
- Teach input

Type code	R58ECR2GB2Q
Ident no.	3075044
Operating mode	diffuse mode contrast sensor
Light type	red / green / blue
Focal distance	10 mm
Ambient temperature	-10...+55 °C
Operating voltage	10...30VDC
Residual ripple	< 10 % U _s
DC rated operational current	≤ 100 mA
No-load current I ₀	≤ 75 mA
Short-circuit protection	yes
Reverse polarity protection	yes
Output function	NO contact, PNP/NPN
Switching frequency	10 kHz
Readiness delay	≤ 100 ms
Design	rectangular, R58
Dimensions	80.1 x 30 x 58.9 mm
Housing material	metal, ZN, black lacquer
Lens	plastic, acrylic
Connection	cable with connector, PVC, M12 x 1
Cable length	0.15 m
Cable cross section	5 mm ²
Protection class	IP67
Power-on indication	LED green
Switching state	LED yellow
Excess gain indication	LED chain red

Wiring diagram



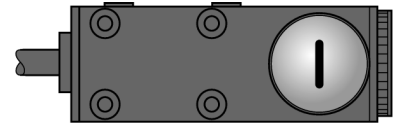
Functional principle

The color mark sensor differentiates between all conventional color contrasts occurring in product and material registration. From three differently colored LEDs, the device automatically selects the most appropriate one to achieve the highest contrast ratio. The very short response time of 50 µs is ideally suited for high speed applications. Adjustments such as contrast ratio, switch behaviour and time delay, can either be made directly via push-buttons at the sensor or remotely via external teach line (gy). Furthermore, the device can be taught to differentiate between ON and OFF state, either statically before commissioning or dynamically during operation.

Photoelectric sensor
convergent mode sensor
color mark sensor
R58ECRGB2Q

TURCK

Industrial
Automation



**Photoelectric sensor
convergent mode sensor
color mark sensor
R58ECRGB2Q**

Wiring accessories

Type code	Ident no.	Description	Dimension drawing
RKC4.5T-2/TEL	6625016	Connection cable, female M12, straight, 5-pin, cable length: 2 m, sheath material: PVC, black; cULus approval; other cable lengths and qualities available, see www.turck.com	