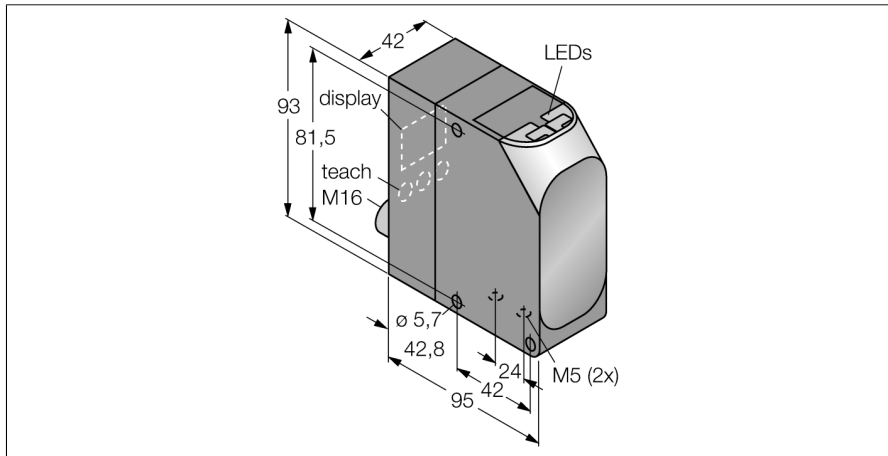
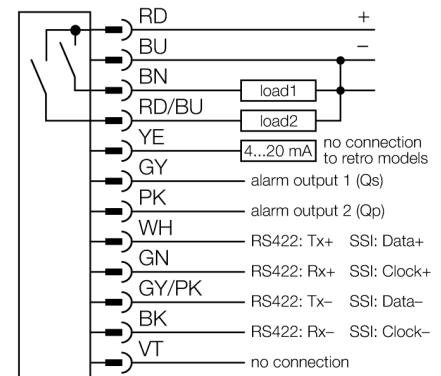


**Photoelectric sensor  
diffuse mode sensor  
laser running time meter  
LT7PIDQ**



- Male M16 x 0.75, 12-pin
- Indication of signal intensity
- Alignment aid, laser class 2, visible red
- LCD display
- Operating voltage: 18...30 VDC
- Hysteresis and measuring range are independently adjustable
- Edge of the analog output invertible
- Alarm output
- Serial interface RS422 or SSI compatible

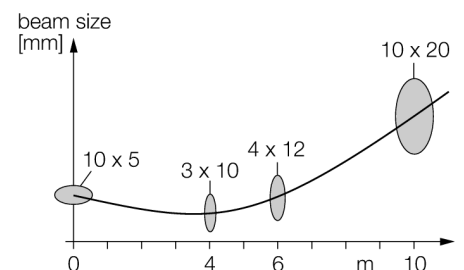
**Wiring diagram**



**Functional principle**

The LT7 uses pulsed time-of-flight technology and is equipped with an IR measuring laser and a visible red pilot laser as alignment aid. The laser pulses one million times per second. The microprocessor records the time required for each pulse to travel to the target and back to the sensor. Every millisecond, one thousand pulse times are averaged and the corresponding value is transferred to the output.

**Diagram**



<b>Type code</b>	LT7PIDQ
Ident no.	3073439
<b>Operating mode</b>	Diffuse mode laser sensor (time-of-flight)
Light type	IR
Wavelength	900 nm
Laser class	▲ 1
Repeatability	8 mm
Range	500...10000 mm
Ambient temperature	-10...+50 °C
<b>Operating voltage</b>	18...30VDC
Residual ripple	< 10 % U <sub>s</sub>
Short-circuit protection	yes
Output function	2x NO, PNP/analog output
Current output	4...20mA
Switching frequency	≤ 400 Hz
<b>Design</b>	rectangular, LT7
Dimensions	95 x 42 x 93 mm
Housing material	plastic, ABS, black
Lens	plastic, acrylic
Connection	male, M16
Protection class	IP67
<b>Power-on indication</b>	LED green
Switching state	LED yellow

Photoelectric sensor  
diffuse mode sensor  
laser running time meter  
LT7PIDQ

**TURCK**

Industrial  
Automation

**Accessories**

Type code	Ident no.	Description	Dimension drawing
SMBLT7F	3073712	Mounting accessories for SMBLT7, for fine adjustment of the LT7, cold rolled steel	
SMBLT7	3073711	Mounting bracket, stainless steel, for LT3 series	

**Wiring accessories**

Type code	Ident no.	Description	Dimension drawing
MQDC-1210RA	3074028	Anschlusskabel, Kupplung, abgewinkelt, M16 x 0.75, 12-polig, Länge: 3.05 m, PVC	
MQDC-1210ST	3074174	Anschlusskabel, Kupplung, gerade, M16 x 0.75, 12-polig, Länge: 3.05 m, PVC	