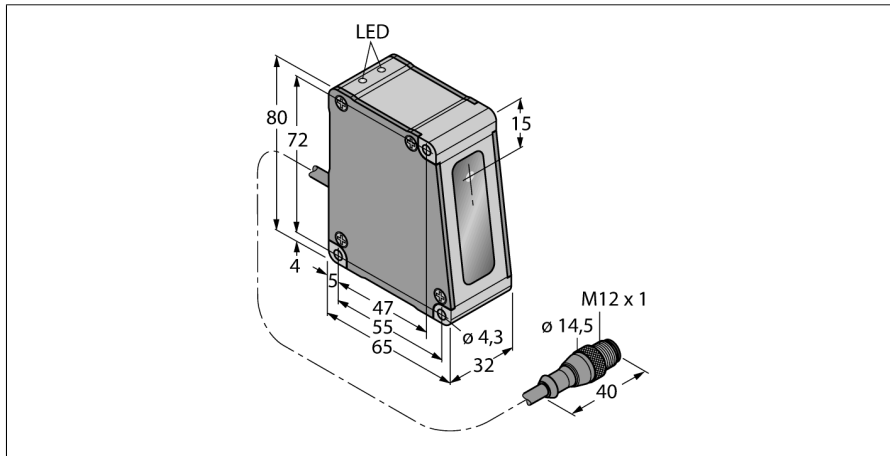


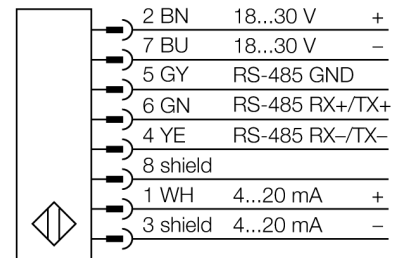
**Photoelectric sensor  
diffuse mode sensor  
laser measuring system  
LH30IX485QP**



- Indication of signal intensity
- Measuring range 25...35 mm
- Max. resolution 1 µm
- Laser beam at 30 mm distance: 50 µm
- Thickness measurement, nominal 5 mm via connection of a second LH30 (adapter CSB3-M1281M1282-LH required)
- Operating voltage 18...30 VDC
- Analog output 4...20 mA
- RS485 serial communication
- Adjustable via enclosed software
- USB converter INTUSB458-LH required
- 8-pin Y-piece CSB-M1280M1280-LH required

<b>Type code</b>	LH30IX485QP
Ident no.	3011950
<b>Operating mode</b>	Diffuse mode laser sensor (triangulation)
Light type	red
Wavelength	670 nm
Laser class	▲ 2
Range	25...35 mm
Ambient temperature	-10...+45 °C
<b>Operating voltage</b>	18...30VDC
Residual ripple	< 10 % U <sub>s</sub>
DC rated operational current	≤ 250 mA
Short-circuit protection	yes/ cyclic
Reverse polarity protection	yes
Output function	4 ... 20 mA, analog output
Current output	4...20mA
Load resistance	≤ 1000 Ω
Readiness delay	≤ 1.25 s
<b>Design</b>	rectangular, LH
Dimensions	65 x 32 x 80 mm
Housing material	metal, AL, black
Lens	glass
Connection	cable with connector, PVC, M12 x 1
Cable length	0.15 m
Cable cross section	8 x 0.34 mm <sup>2</sup>
Protection class	IP67
<b>Power-on indication</b>	LED green

**Wiring diagram**



**Functional principle**

The functional principle of the LH sensors is based on optical laser triangulation. The emitter and the optics create a light source that is directed towards a target. The target reflects the laser beam back to the receiver lens of the sensor, from where it then falls onto the CMOS receiving element. The target's distance to the receiver determines the angle at which the light hits the receiver element. The integrated microprocessor uses this angle to analyse the target's position and to create a corresponding output signal.

Photoelectric sensor  
diffuse mode sensor  
laser measuring system  
LH30IX485QP

**TURCK**

Industrial  
Automation

**Accessories**

Type code	Ident no.	Description	Dimension drawing
SMBLH30	3012719	Mounting bracket, anodized aluminium, black, for LH30 sensor pair, distance and thickness measurement	
SMBLH1	3012717	Mounting bracket, anodized aluminium, black, for LH sensor, laterally mounted on wall	

**Wiring accessories**

Type code	Ident no.	Description	Dimension drawing
INTUSB485-LH	3013262	RS485-USB converter cable, male M12 x 1, 8-pin on USB male type B, for programming of one or more LH-Sensors via PC	
CSB-M1280M1280-LH	3013239	Y-piece, male M12 x 1 on 2 x female M12 x 1, 8-pin, -40...+80 ° C, IP67, for connection of LH sensor to power and INTUSB485-LH	
CSB3-M1281M1282-LH	3014418	Y-piece, male M12 x 1 with 0.30 m cable on 3 x female M12 x 1 with 0.60 m cable, 8-pin, -40...+150 ° C, IP67, for connection of 2 LH sensors to power and INTUSB485-LH	
MQLH-806-F	3011680	Connection cable, PVC, shielded, length 2 m, female M12 x 1, 8-pin, open end	
MQLH-801-MM	3012407	Extension cable, PVC, shielded, 0.3 m, male M12 x 1, 8-pin on male M12 x 1, 8-pin	
MQLH-806-MF	3012398	Extension cable, PVC, shielded, 2 m, female M12 x 1, 8-pin on male M12 x 1, 8-pin	

