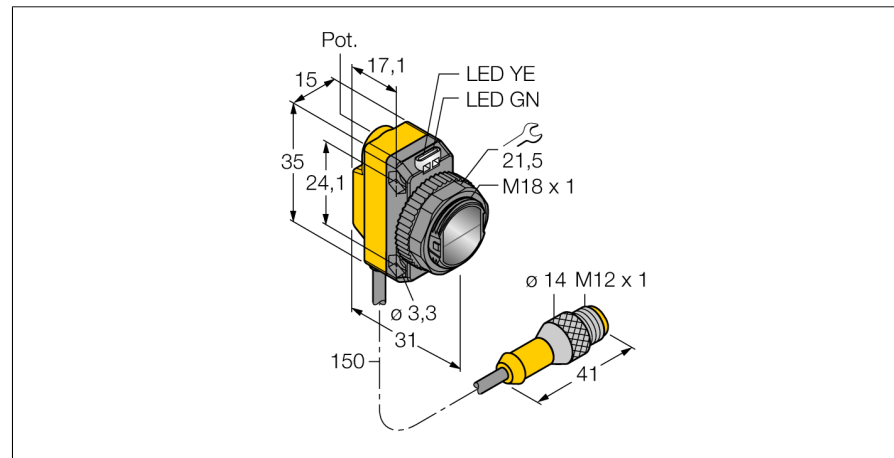


**Photoelectric sensor  
diffuse mode laser sensor  
QS18VP6LDQ5**

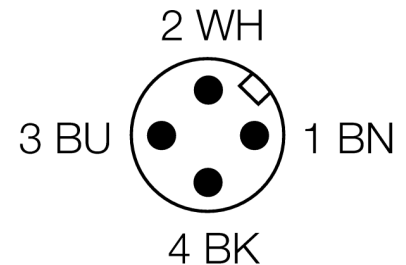


- Cable with male end, M12 x 1, 4-pin, PVC, 150 mm
- Protection class IP67
- LED all-round visible
- Sensitivity adjusted via potentiometer

**Wiring diagram**



<b>Type code</b>	QS18VP6LDQ5
Ident no.	3073043
<b>Operating mode</b>	Diffuse mode laser sensor (triangulation)
Light type	red
Wavelength	650 nm
Laser class	▲ 1
Beam diameter	1 mm at 300 mm
Range	0...300 mm
Ambient temperature	-10...+50 °C
<b>Operating voltage</b>	10...30VDC
Residual ripple	< 10 % U <sub>is</sub>
DC rated operational current	≤ 100 mA
No-load current I <sub>0</sub>	≤ 15 mA
Short-circuit protection	yes
Reverse polarity protection	yes
Output function	NO/NC , PNP
Switching frequency	≤ 700 Hz
Readiness delay	≤ 200 ms
<b>Design</b>	rectangular, QS18
Dimensions	31 x 15 x 35 mm
Housing material	plastic, ABS
Lens	plastic, acrylic
Connection	cable with connector, M12 x 1
Protection class	IP67
MTTF	17 years acc. to SN 29500 (Ed. 99) 40 °C
<b>Power-on indication</b>	LED green
Switching state	LED yellow
Error indication	LED green flashing
Excess gain indication	LED yellow flashing

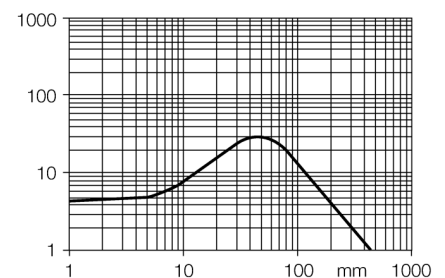


**Functional principle**

Identical to retro-reflective sensors, emitter and receiver circuitry are incorporated in the same housing of the diffuse mode sensors. However, diffuse mode sensors do not detect the interruption of the light beam but the reflection of the target. A target is detected if it reflects sufficient light back to the receiver. The switching distance of diffuse mode sensors thus largely depends on the reflectivity of the target.

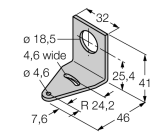
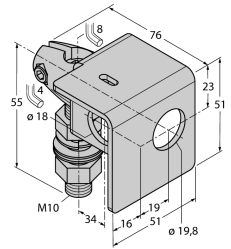
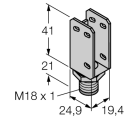
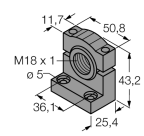
**Excess gain curve**

Excess gain in relation to the distance



**Photoelectric sensor  
diffuse mode laser sensor  
QS18VP6LDQ5**

**Accessories**

Type code	Ident no.	Description	Dimension drawing
SMB18A	3033200	Mounting bracket, stainless steel, for sensors with 18 mm thread	
SMB18AFAM10	3012558	Mounting bracket, material VA 1.4401, for M10 x 1.5 thread, thread length 18 mm	
SMBQS18A	3069721	Mounting bracket, stainless steel, for 18 mm thread	
SMB18SF	3052519	Mounting bracket, PTB black steel, for sensors with 18 mm thread	

**Wiring accessories**

Type code	Ident no.	Description	Dimension drawing
RKC4.4T-2/TEL	6625013	Connection cable, female M12, straight, 4-pin, cable length: 2 m, sheath material: PVC, black; cULus approval; other cable lengths and qualities available, see www.turck.com	

**Photoelectric sensor  
diffuse mode laser sensor  
QS18VP6LDQ5**

**Wiring accessories**

Type code	Ident no.	Description	Dimension drawing
WKC4.4T-2/TEL	6625025	Connection cable, female M12, angled, 4-pin, cable length: 2 m, sheath material: PVC, black; cULus approval; other cable lengths and qualities available, see <a href="http://www.turck.com">www.turck.com</a>	