



COUPLING LINK FOR DIRECT COIL CONNECTION,
DC 24V, 1NO, FOR MOTOR CONTACTORS,
SZ S0,
SCREW TERMINAL CONNECTOR B1/B2 FOR 1NO

General technical data:

product brand name		SIRIUS
Size of the contactor		S0
Protection class IP / on the front		IP20
Degree of pollution		3
Product component / protective wiring		Yes
Ambient temperature		
• during storage	°C	-40 ... +80
• during operating	°C	-25 ... +60
Insulation voltage / rated value	V	300

Control circuit:

Voltage type / of control feed voltage		DC
Control supply voltage / 1		
• for DC		
• rated value	V	24
• initial rated value	V	17
• final rated value	V	30
operating range factor control supply voltage rated value / of the magnet coil		
• for DC		0.7 ... 1.25

Auxiliary circuit:**Number of NO contacts / for auxiliary contacts / instantaneous switching**

0

Operating current / of the auxiliary contacts

• at AC-12

• at 24 V

A

6

• at 230 V

A

6

• at AC-15

• at 24 V

A

3

• at 230 V

A

3

• at DC-13

• at 24 V

A

1

• at 110 V

A

0.2

• at 220 V

A

0.1

Installation/mounting/dimensions:**mounting position**

any

Mounting type

direct mounting

Width

mm

45

Height

mm

35

Depth

mm

50

Connections:**Type of the connectable conductor cross-section**

• for auxiliary contacts

• solid

2x (0.5 ... 1.5 mm²), 2x (0.75 ... 2.5 mm²)

• finely stranded

• with conductor end processing

2x (0.5 ... 1.5 mm²)

General Product Approval**EMC****Declaration of
Conformity**

CCC



CSA



UL



C-TICK



EG-Konf.

Test Certificates[Special Test
Certificate](#)[Type Test
Certificates/Test
Report](#)**Shipping Approval**

ABS

BUREAU
VERITAS

DNV



GL



LRS



RINA

Shipping Approval

other

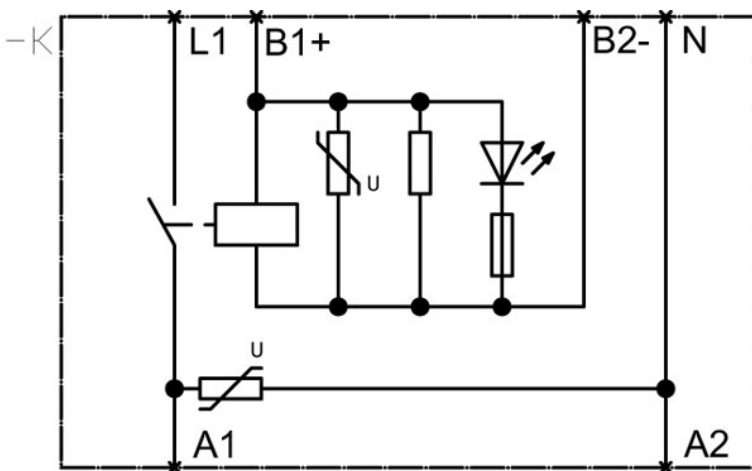
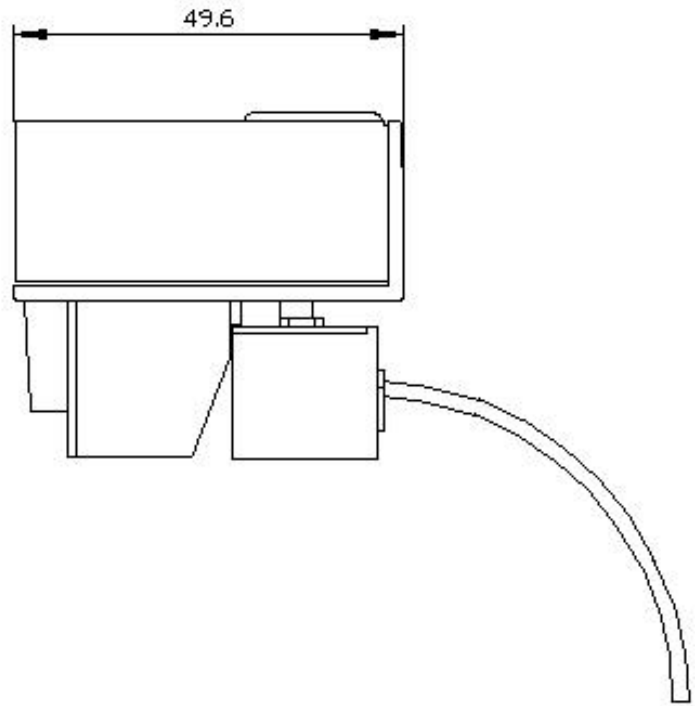
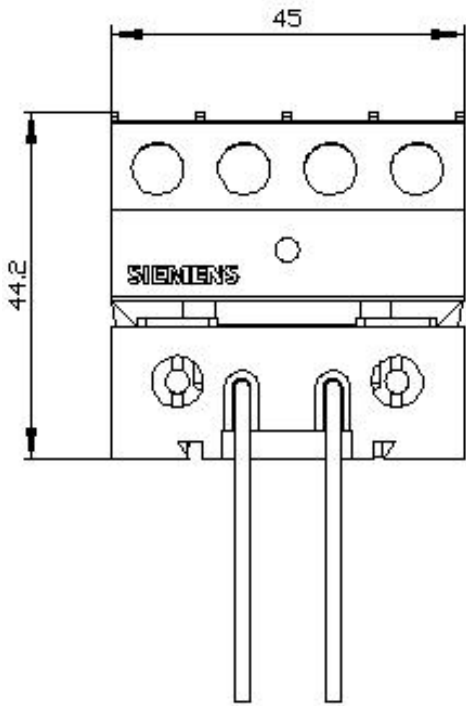


RMRS



VDE

[Environmental
Confirmations](#)**Further information:****Information- and Downloadcenter (Catalogs, Brochures,...)**<http://www.siemens.com/industrial-controls/catalogs>**Industry Mall (Online ordering system)**<http://www.siemens.com/industrial-controls/mall>**CAX-Online-Generator**<http://www.siemens.com/cax>**Service&Support (Manuals, Certificates, Characteristics, FAQs,...)**<http://support.automation.siemens.com/WW/view/en/3RH2924-1GP11/all>**Image database (product images, 2D dimension drawings, 3D models, device circuit diagrams, ...)**http://www.automation.siemens.com/bilddb/cax_en.aspx?mlfb=3RH2924-1GP11



last change:

Aug 4, 2014