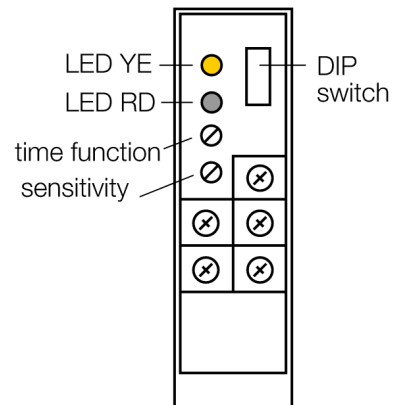
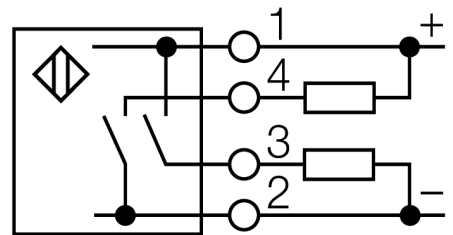


**Photoelectric sensor  
diffuse mode sensor  
Q85BB62DL-B**



- Integrated terminal chamber
- Cable glands, offset installation by 90° in two places
- Protection class IP67
- AID alignment aid
- Operating voltage: 10...48 VDC
- Outputs: 1 x PNP, 1 x NPN
- Light and dark operation
- Sensitivity adjusted via potentiometer

**Wiring diagram**



<b>Type code</b>	Q85BB62DL-B
Ident no.	3034261
<b>Operating mode</b>	diffuse mode sensor
Light type	IR
Wavelength	880 nm
Ambient temperature	-25...+55 °C
<b>Operating voltage</b>	10...48VDC
DC rated operational current	≤ 120 mA
No-load current I <sub>0</sub>	≤ 50 mA
Short-circuit protection	yes/ cyclic
Reverse polarity protection	yes
Output function	NO contact, PNP/NPN
Switching frequency	0.25 kHz
Switching frequency	≤ 250 Hz
Readiness delay	≤ 100 ms
Overcurrent release	> 270 mA
<b>Design</b>	rectangular, Q85
Dimensions	85 x 65 x 25 mm
Housing material	plastic, ABS, yellow
Lens	acrylic, Plastic
Connection	terminal chamber
Protection class	IP67
<b>Switching state</b>	LED yellow
Excess gain indication	LED red flashing

**Functional principle**

Identical to retro-reflective sensors, emitter and receiver circuitry are incorporated in the same housing of the diffuse mode sensors. However, diffuse mode sensors do not detect the interruption of the light beam but the reflection of the target. A target is detected if it reflects a sufficient amount of light back to the receiver. The switching distance of diffuse mode sensors thus largely depends on the reflectivity of the target. This type of sensor is especially suited for detection of transparent objects (diffuse mode sensor with or without background suppression or convergent mode sensors).

**Excess gain curve**

Excess gain in relation to the distance

Photoelectric sensor  
diffuse mode sensor  
Q85BB62DL-B

**TURCK**

Industrial  
Automation

