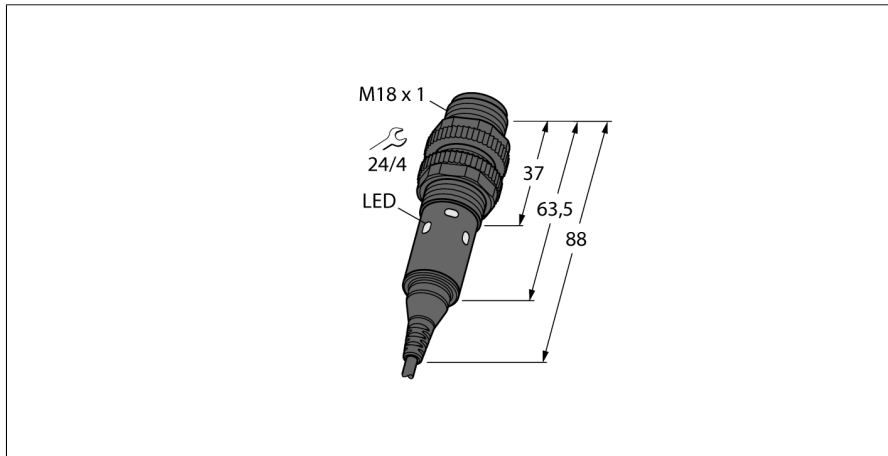
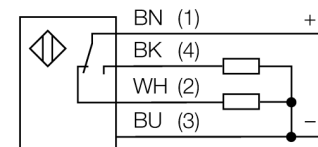


**Photoelectric sensor
diffuse mode sensor
S18-2VPDL-2M**



- Cable, 2 m
- Protection class IP67
- Ambient temperature: -40...+70 °C
- Selectable light/dark operation or light operation with alarm function
- Operating voltage: 10...30 VDC
- PNP switching output, changeover

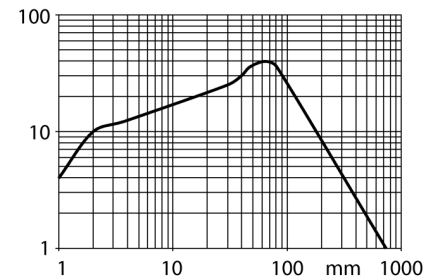
Wiring diagram



Functional principle

Emitter and receiver are incorporated in the same housing. The light reflected by the target is detected and causes the sensor to switch. The switching distance thereby depends largely on the reflectivity of the target.

Excess gain curve



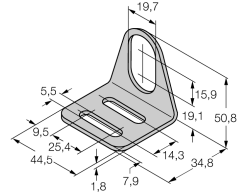
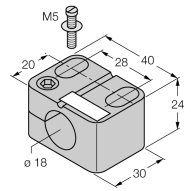
Type code	S18-2VPDL-2M
Ident no.	3042165
Operating mode	diffuse mode sensor
Light type	red
Wavelength	624 nm
Range	1...750 mm
Ambient temperature	-40...+70 °C
Operating voltage	10...30VDC
Residual ripple	< 10 % U _s
No-load current I ₀	≤ 16 mA
Short-circuit protection	yes/ cyclic
Reverse polarity protection	yes
Output function	changover contact, PNP
Readiness delay	≤ 100 ms
Response time	< 2.25 ms
Design	cylindrical/threaded, S18
Dimensions	88 mm
Housing diameter	18 mm
Housing material	plastic, ABS
Connection	cable
Cable length	2 m
Cable cross section	4 x 0.5 mm ²
Protection class	IP67
Power-on indication	LED green
Switching state	LED yellow

Photoelectric sensor
diffuse mode sensor
S18-2VPDL-2M

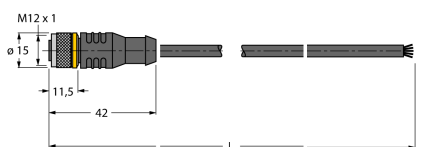
TURCK

Industrial
Automation

Accessories

Type code	Ident no.	Description	Dimension drawing
MW-18	6945004	Mounting bracket for threaded barrel devices; material: Stainless steel A2 1.4301 (AISI 304)	
BST-18N	6947215	Fixing clamp for threaded barrel devices, without dead-stop; material: PA6	

Wiring accessories

Type code	Ident no.	Description	Dimension drawing
RKC4.5T-2/TEL	6625016	Connection cable, female M12, straight, 5-pin, cable length: 2 m, sheath material: PVC, black; cULus approval; other cable lengths and qualities available, see www.turck.com	
WKC4.5T-2/TEL	6625028	Connection cable, female M12, angled, 5-pin, cable length: 2 m, sheath material: PVC, black; cULus approval; other cable lengths and qualities available, see www.turck.com	