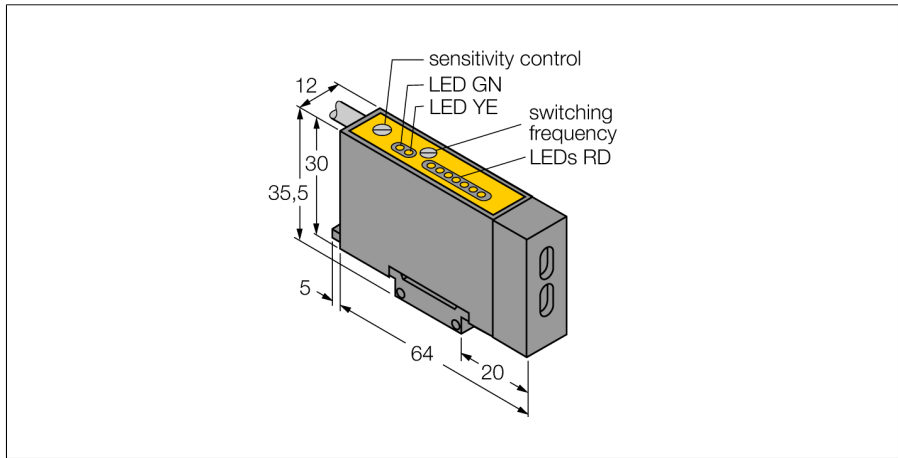
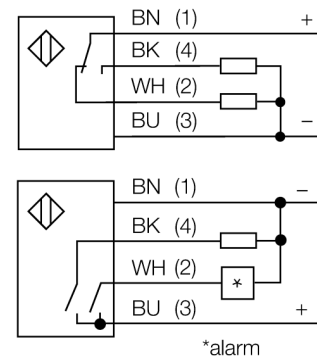


**Photoelectric sensor  
base unit for optical fibers  
D12SP6FP**



- Base unit for plastic fibers
- 7-segment LED chain for indication of excess gain
- connection cable, 2 m
- Operating voltage 10...30 VDC
- PNP transistor switching output
- Sensitivity adjustable via potentiometer
- Alarm function

**Wiring diagram**

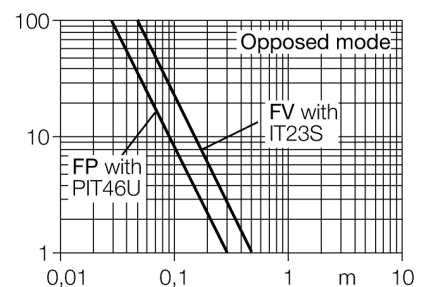


**Functional principle**

Glass or fibre optic sensors are the optimum choice for high temperature or space restricted applications. Fibre optics transfer the light from the sensor to a remote object. Individual fibre optics are used for opposed mode sensing, whereas bifurcated fibre optics are suited for retro-reflective or diffuse mode operation.

**Excess gain curve**

Excess gain in relation to the distance



<b>Type code</b>	D12SP6FP
Ident no.	3032821
<b>Operating mode</b>	fibre optic sensor
Light type	red
Wavelength	680 nm
Ambient temperature	-20...+70 °C
<b>Operating voltage</b>	10...30VDC
No-load current I <sub>0</sub>	≤ 25 mA
Output function	NO/NC , PNP
Switching frequency	1 kHz
Readiness delay	≤ 20 ms
Overcurrent release	> 200 mA
<b>Design</b>	rectangular, D12
Dimensions	64 x 12 x 30 mm
Housing material	plastic, ABS
Connection	cable
Cable length	2 m
Cable cross section	4 x 0.5 mm <sup>2</sup>
Protection class	IP66
<b>Power-on indication</b>	LED green
Switching state	LED yellow
Error indication	LED red flashing
Excess gain indication	LED chain red