



AS-I DATA DECOUPL 2 X 4A SCREW AS-INTERFACE
 DUAL DATA DECOUPLING UNIT,
 IP20,
 SLIMLINE S22.5 SCREW-TYPE TERMINALS,
 MODULE WIDTH 22.5 MM,
 IN: 24 V / 30 V DC OUT: 2 X AS-I,
 4 A INTEGR. OVERLOAD PROTECTION,
 INTEGR. EARTH FAULT DETECTION,
 SIGNALING CONTACTS, REMOTE RESET

General technical data:

product brand name		AS-Interface
Product designation		Twin data decoupling module
Design of the product		SlimLine S22.5 - Module to be used in the IP20 control cabinet
Protection class IP		IP20
Installation altitude / at a height over sea level / maximum	m	2,000
Ambient temperature		
• during operating	°C	-25 ... +70
• during storage	°C	-40 ... +85
Relative humidity / at 25 °C / during operating / maximum	%	70
Reference code / according to DIN 40719 extended according to IEC 204-2 / according to IEC 750		A
Reference code / according to DIN EN 61346-2		A
Active power supplied	W	240
Mechanical operating cycles as operating time / of the signal contacts / typical		1,000,000
Product function		
• self-reset		No
• reset external		Yes
• manual RESET		Yes

<ul style="list-style-type: none"> • short-circuit to earth recognition • test function of signaling contacts • adapted for grounded AS-i networks • adapted for non-grounded AS-i networks • adapted for AS-i Power24V • sequential connected time-delay • AS-interface data decoupling 		Yes
Reset function		yes
Adjustable response current		
<ul style="list-style-type: none"> • of the current-dependent overload release 	A	2.5 ... 4
Number of electrical connections / for signaling contact		3
Number of outputs / for AS Interface / maximum		2
Type of display / as status display by LED		yes
Number of switching contacts / as make contact / for reporting function		2
Design of the switching contact / as make contact / for reporting function		yes
ON-delay / of the sequential connection delay	ms	200

Communication:

Protocol / is supported / AS interface protocol

Yes

Auxiliary circuit:

Operating current / of the auxiliary contacts

- at AC-15 / at 24 V
- at DC-13 / at 24 V

A

3

A

1

Inputs/ Outputs:

Type of

- input voltages
- input voltage

DC

DC

Characteristic feature of the output / short-circuit protected

Yes

Output voltage

- 1 / for DC / rated value
- 1 / for DC
 - rated value
- 2 / for DC / rated value

V

30

V

20.5 ... 31.6

V

24

Output current / for DC / maximum

A

4

Input voltage

- 1 / for DC / rated value
- 1 / for DC
 - rated value

V

30

V

21 ... 32

• 2 / for DC / rated value	V	24
Input current / for DC / maximum	A	8.2

Short-circuit:

Design of the short-circuit protection	electronic
---	------------

Installation/mounting/dimensions:

mounting position		vertical
Mounting type		35-mm DIN rail mounting or wall mounting with plug-in flaps
Width	mm	22.5
Height	mm	101.3
Depth	mm	121.2
Design of the electrical connection / for auxiliary and control current circuit		screw-type terminals
Product function / removable terminal for auxiliary and control circuit		Yes
Type of the connectable conductor cross-section		
<ul style="list-style-type: none"> • for auxiliary contacts <ul style="list-style-type: none"> • solid • finely stranded <ul style="list-style-type: none"> • with conductor end processing • for AWG conductors / for auxiliary contacts 		1x (0.5 ... 4 mm ²), 2x (0.5 ... 2.5 mm ²) 1x (0.5 ... 2.5 mm ²), 2x (0.5 ... 1.5 mm ²) 2x (20 ... 14)
Verification of suitability		CE / UL / CSA
Suitability for use / safety-related circuits		Yes

Certificates/approvals:

General Product Approval



Shipping Approval



other

[Confirmation](#)

[Declaration of Conformity](#)

[Environmental Confirmations](#)

Further information:

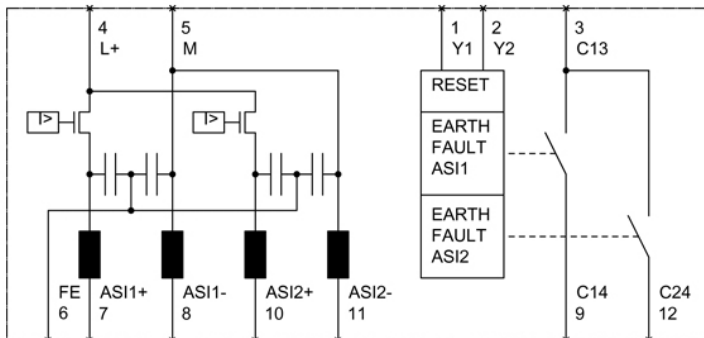
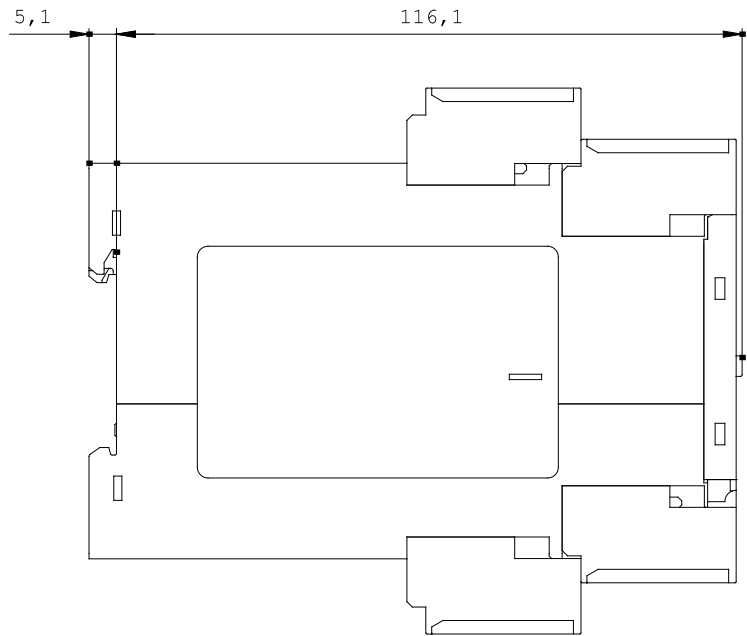
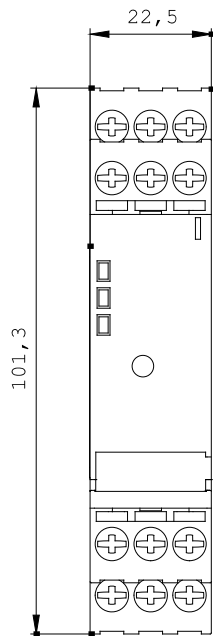
Information- and Downloadcenter (Catalogs, Brochures,...)
<http://www.siemens.com/industrial-controls/catalogs>

Industry Mall (Online ordering system)
<http://www.siemens.com/industrial-controls/mall>

Cax online generator
<http://www.siemens.com/cax>

Service&Support (Manuals, Certificates, Characteristics, FAQs,...)
<http://support.automation.siemens.com/WW/view/en/3RK1901-1DE22-1AA0/all>

Image database (product images, 2D dimension drawings, 3D models, device circuit diagrams, ...)
http://www.automation.siemens.com/bilddb/cax_en.aspx?mlfb=3RK1901-1DE22-1AA0



last change:

Aug 4, 2014