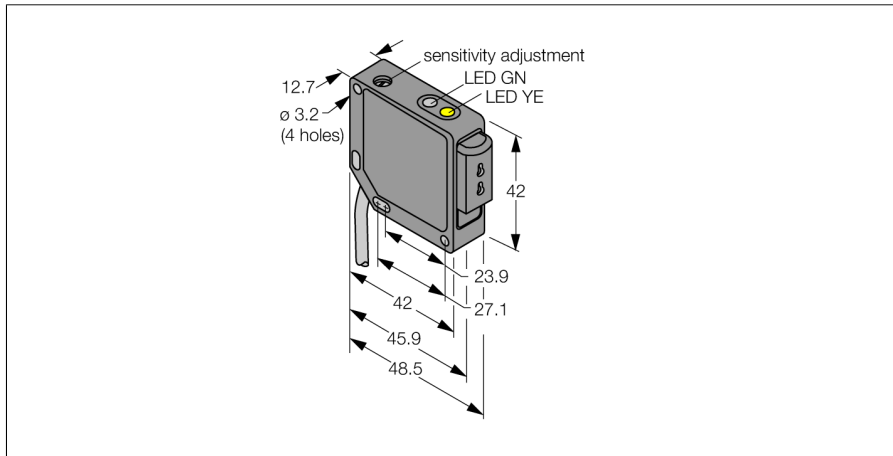
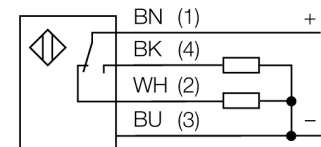


**Photoelectric sensor
base unit for plastic fibers
QM42VP6FP**



- Cable, PVC, 2 m, 4-wire
- Metal housing, ZN, black
- Protection class IP67
- Sensitivity adjusted via potentiometer
- Operating voltage 10...30 VDC
- PNP switching output
- Light/dark operation

Wiring diagram

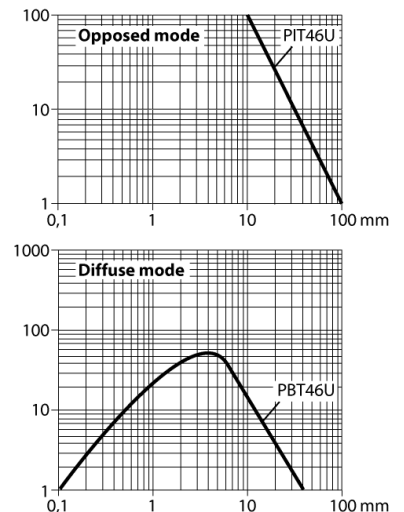


Type code	QM42VP6FP
Ident no.	3045783
Operating mode	fibres optic sensor
Light type	red
Wavelength	660 nm
Ambient temperature	-20...+70 °C
Operating voltage	10...30VDC
Residual ripple	< 10 % U _s
DC rated operational current	≤ 100 mA
No-load current I ₀	≤ 30 mA
Short-circuit protection	yes
Reverse polarity protection	yes
Output function	NO/NC , PNP
Readiness delay	≤ 100 ms
Overcurrent release	> 150 mA
Design	rectangular, QM42
Dimensions	48.5 x 12.7 x 42 mm
Housing material	metal, ZN, black lacquer
Connection	cable, PVC
Cable length	2 m
Cable cross section	4 x 0.5 mm ²
Protection class	IP67
Power-on indication	LED green
Switching state	LED yellow
Error indication	LED green flashing
Alarm display	LED yellow flashing

Functional principle

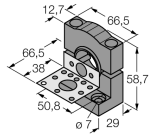
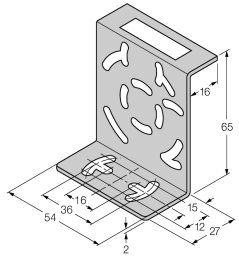
Glass or fibre optic sensors are the optimum choice for high temperature or space restricted applications. Fibre optics transfer the light from the sensor to a remote object. Individual fibre optics are used for opposed mode sensing, whereas bifurcated fibre optics are suited for diffuse mode operation.

Excess gain curve



**Photoelectric sensor
base unit for plastic fibers
QM42VP6FP**

Accessories

Type code	Ident no.	Description	Dimension drawing
SMB30SK	3052523	Mounting bracket, PBT black, with mounting plate, stainless steel, for types with 18 mm thread, QM42/QMT42	
SMB46S	3048748	Mounting bracket, stainless steel, for QS18, QS30, MINI-BEAM, QM42/QMT42	
SMB46L	3048747	Mounting bracket, stainless steel, for QS18, QS30, MINI-BEAM, QM42/QMT42	