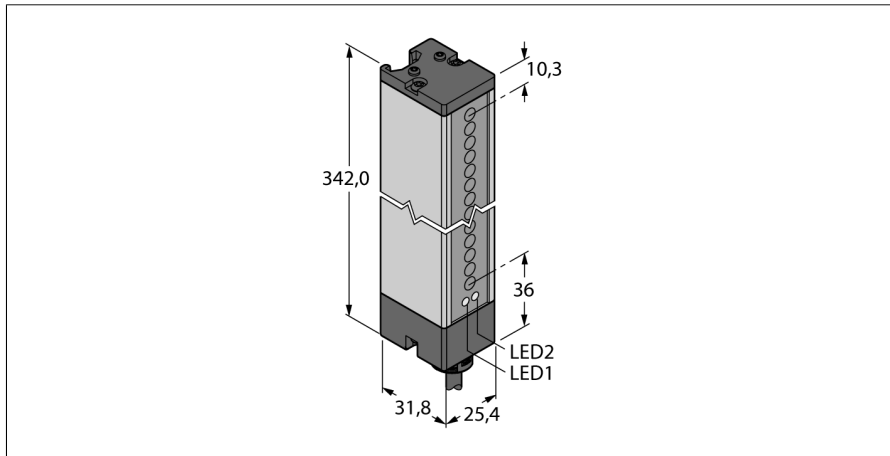
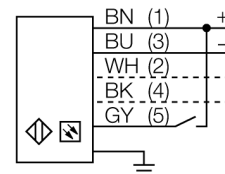


**Photoelectric sensor
opposed mode sensor (emitter)
emitter
LX12E**



- Cable, 2 m, 5-wire
- Protection class IP65
- Scan field 295 mm
- Minimum target size 9.5 mm
- Operating voltage: 10...30 VDC
- Programmable connection for reduced sensing range

Wiring diagram



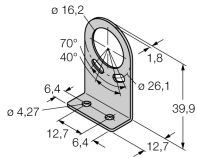
Functional principle

Light screens are especially suited to monitor large areas. They consist of an emitter and a receiver unit. Switching light screens are available with scanning heights of up to 599 mm.

Type code	LX12E
Ident no.	3002682
Operating mode	light screen
Light type	IR
Wavelength	880 nm
Optical resolution	9.5 mm
Range	150...2000 mm
Detection zone height	295 mm
Ambient temperature	-20...+70 °C
Operating voltage	10...30VDC
Residual ripple	< 10 % U _s
No-load current I ₀	≤ 100 mA
Short-circuit protection	yes
Reverse polarity protection	yes
Design	rectangular, LX
Dimensions	31.8 x 25.4 x 342 mm
Housing material	metal, AL, grey
Lens	plastic, acrylic
Connection	cable, PVC
Cable length	2 m
Cable cross section	5 x 0.5 mm ²
Protection class	IP65
MTTF	74 years acc. to SN 29500 (Ed. 99) 40 °C
Power-on indication	LED green
Error indication	LED red flashing

**Photoelectric sensor
opposed mode sensor (emitter)
emitter
LX12E**

Accessories

Type code	Ident no.	Description	Dimension drawing
SMBLX	3002915	Mounting bracket, galvanized steel, for LX series, 2 pcs., not included in delivery	
SMBLXR	3002914	Foot, galvanized steel, for LX series	