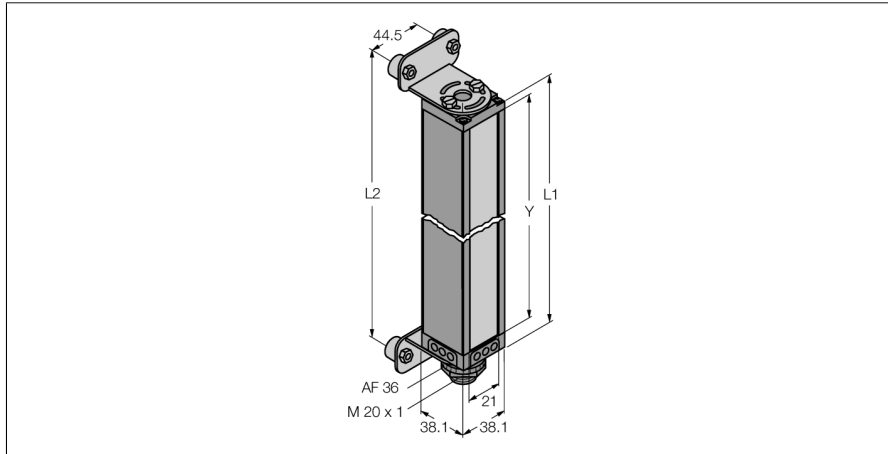


measuring light screen  
emitter  
BMEL616A



- Minimum target size 19 mm
- Scan field 143 mm
- max. sensing range 17 m
- Operating voltage 11.8...12.2 VDC (from controller)
- Protection class IP65
- adjustment via software

**Functional principle**

Measuring light screens are ideally suited for precise detection and inspection tasks such as product profiling, sizing, edge and centre guiding, hole and parts detection and the like. Each system consists of an emitter, receiver and a controller module, which is equipped with several switching and analogue outputs, depending on the specific version. The device also enables data transmission via RS232 or R485, either in a binary or ASCII code format. The scan times depend on the height of the measuring array and the adjusted scan mode. Detailed information can be taken from the instruction manual.

<b>Type code</b>	BMEL616A
Ident no.	3039919
<b>Operating mode</b>	light screen
Light type	IR
Wavelength	880 nm
Optical resolution	19 mm
Range	900...17000 mm
Detection zone height	143 mm
Ambient temperature	-20...+70 °C
<b>Operating voltage</b>	11.4...14VDC
<b>Design</b>	rectangular, Mini Array
Dimensions	38.1 x 38.1 x 201 mm
Housing material	metal, AL
Lens	plastic, acrylic
Connection	male, 7/8"
Protection class	IP65