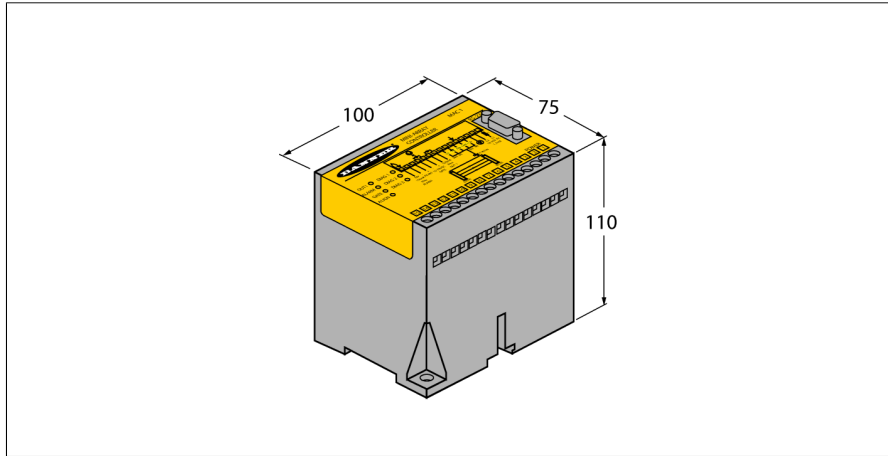


**measuring light screen  
controller  
MACI-1**



- 2 x analogue outputs 4...20 mA
- NPN transistor output (normally open)
- Operating voltage 16...30 VDC
- Protection class IP20
- adjustment via software (included in delivery)

**Functional principle**

Measuring light screens are ideally suited for precise detection and inspection tasks such as product profiling, sizing, edge and centre guiding, hole and parts detection and the like. Each system consists of an emitter, receiver and a controller module, which is equipped with several switching and analogue outputs, depending on the specific version. The device also enables data transmission via RS232 or R485, either in a binary or ASCII code format. The scan times depend on the height of the measuring array and the adjusted scan mode. Detailed information can be taken from the instruction manual.

<b>Type code</b>	MACI-1
Ident no.	3046326
<b>Operating mode</b>	light screen
Ambient temperature	-20...+70 °C
<b>Operating voltage</b>	16...30VDC
No-load current $I_0$	≤ 750 mA
Output function	NO contact, NPN/analog output
Current output	4...20mA
<b>Design</b>	rectangular, Mini Array
Dimensions	110 x 100 x 75 mm
Housing material	plastic, PC
Connection	removable terminal block, reverse polarity protected, screw connection
Protection class	IP20
<b>Switching state</b>	LED red
Error indication	LED red